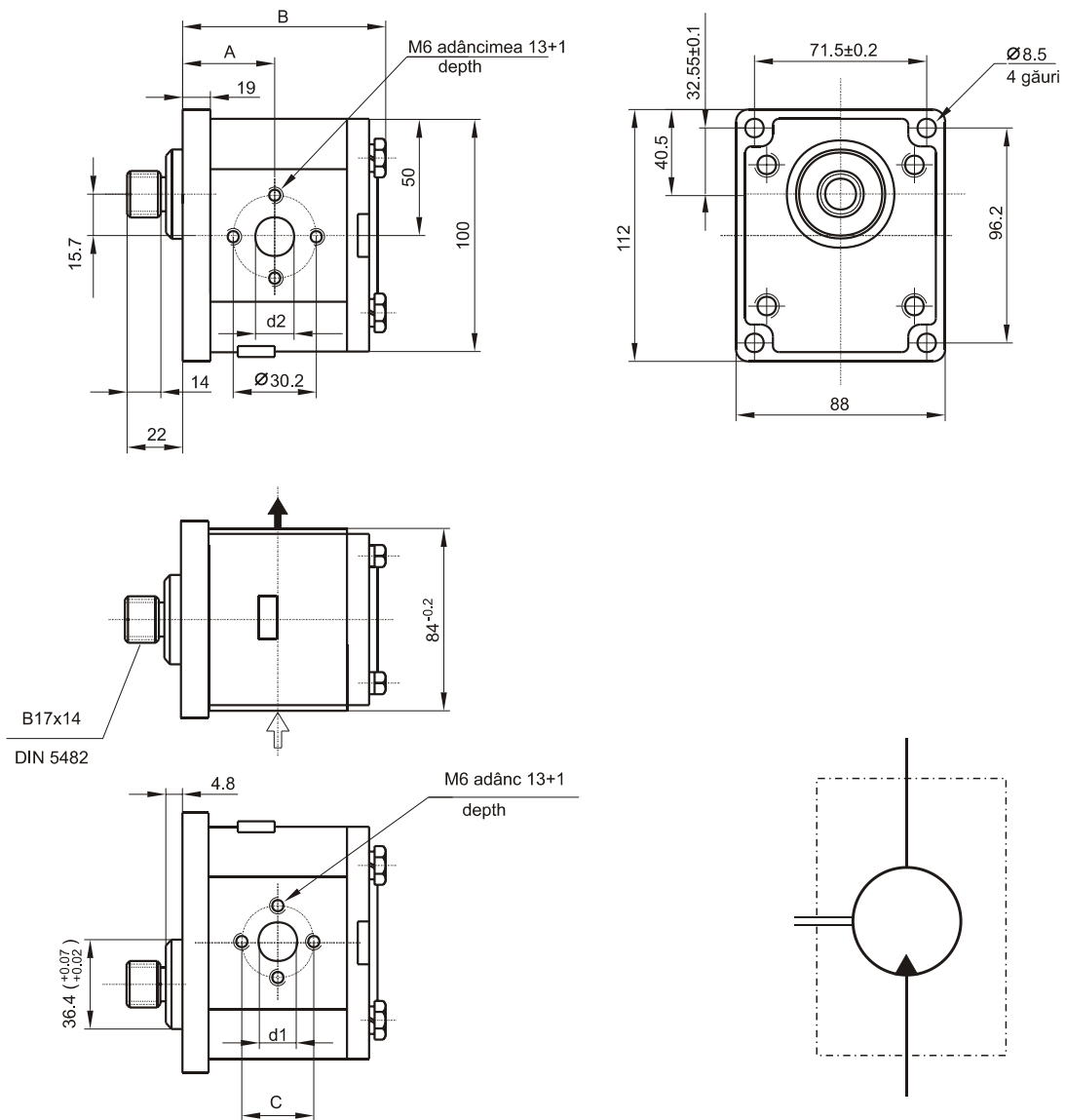


MRD 2

14.1.0



Type code		Displacement cm ³ /rev	Dimensions					Weight Kg
			A	B	d1	d2	C	
MRD 2-1411D	MRD 2-1411S	4	41.3	86.7	15	15	30.2±0.15	2.8
MRD 2-1412D	MRD 2-1412S	5.5	42.5	89.2	15	15	30.2±0.15	2.85
MRD 2-1413D	MRD 2-1413S	8	44.6	93.3	15	15	30.2±0.15	2.9
MRD 2-1414D	MRD 2-1414S	11	48.5	98.3	20	15	39.7±0.15	3
MRD 2-1415D	MRD 2-1415S	14	49	103.3	20	15	39.7±0.15	3.2
MRD 2-1416D	MRD 2-1416S	16	49	106.7	20	15	39.7±0.15	3.4
MRD 2-1417D	MRD 2-1417S	19	49	111.7	20	15	39.7±0.15	3.6
MRD 2-1418D	MRD 2-1418S	22.5	56.6	117.6	20	15	39.7±0.15	3.8
MRD 2-1419D	MRD 2-1419S	26	60	122.9	22	15	39.7±0.15	4