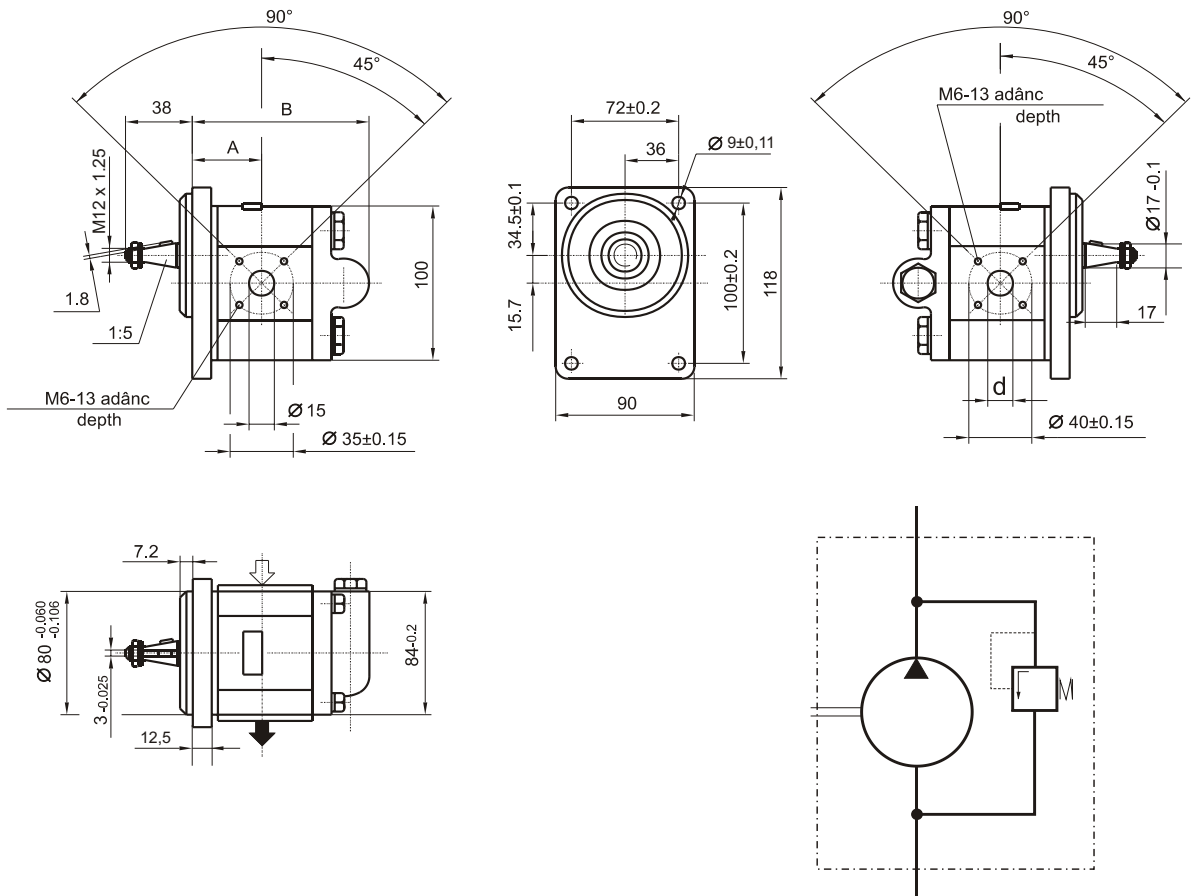


PRD 2

1.2.0x



Presiunea de descărcare a supapei
Discharge pressure of the relief valve

x	1	2	3	4	5	6	7	8
P _d [bar]	63	80	100	125	160	180	200	220

Type code		Displacement cm ³ /rev	Dimensions			Weight Kg
			A	B	d	
PRD2-121Dx	PRD2-121Sx	4	39.8	103.2	15	3.5
PRD2-122Dx	PRD2-122Sx	5.5	41	105.7	15	3.55
PRD2-123Dx	PRD2-123Sx	8	43.1	109.8	20	3.6
PRD2-124Dx	PRD2-124Sx	11	47	114.8	20	3.7
PRD2-125Dx	PRD2-125Sx	14	47.5	119.8	20	3.9
PRD2-126Dx	PRD2-126Sx	16	47.5	123.2	20	4.1
PRD2-127Dx	PRD2-127Sx	19	47.5	128.2	20	4.3
PRD2-128Dx	PRD2-128Sx	22.5	55	133.6	20	4.5
PRD2-129Dx	PRD2-129Sx	26	58.5	139.5	22	4.7