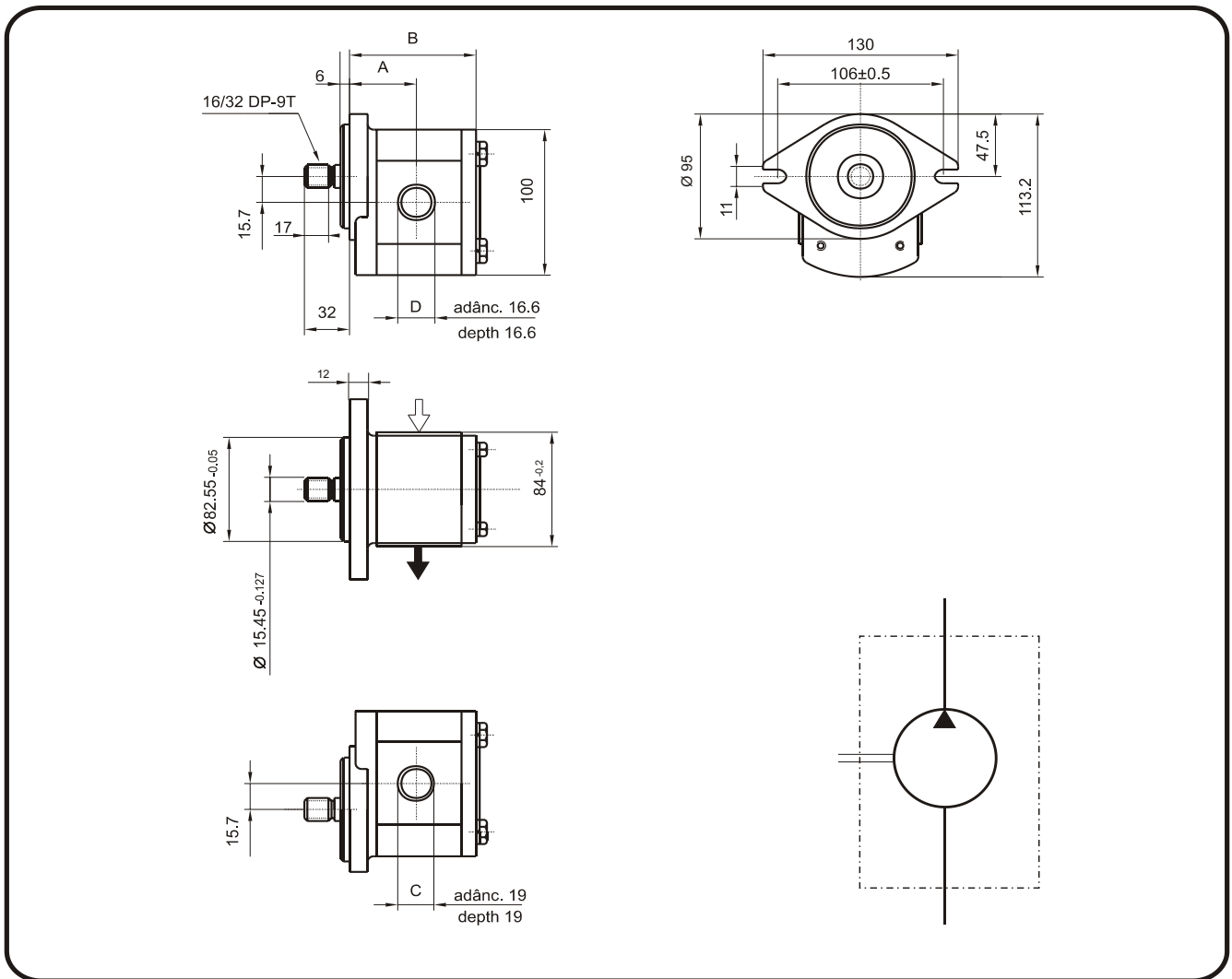


PRD 2

5.1.0 /I*

5.1.0 SAE*



Type code		Displacement cm ³ /rev	Dimensions				Weight Kg
			A	B	C	D	
PRD2-511D/I	PRD2-511S/I	4	41.4	87.7	1 ¹ / ₁₆ "-12UN-2B	7/8"-14UNF-2B	2.8
PRD2-511D SAE	PRD2-511S SAE	4	41.4	87.7	3/4"-16UNF-2B	9/16"-18UNF-2B	2.8
PRD2-512D/I	PRD2-512S/I	5.5	42.6	90.2	1 ¹ / ₁₆ "-12UN-2B	7/8"-14UNF-2B	2.85
PRD2-512D SAE	PRD2-512S SAE	5.5	42.6	90.2	3/4"-16UNF-2B	9/16"-18UNF-2B	2.85
PRD2-512D3/8"-3/8"	PRD2-512S3/8"-3/8"	5.5	42.6	90.2	G 3/8"	G 3/8"	2.85
PRD2-513D/I	PRD2-513S/I	8	44.7	94.3	1 ¹ / ₁₆ "-12UN-2B	7/8"-14UNF-2B	2.9
PRD2-513D SAE	PRD2-513S SAE	8	44.7	94.3	3/4"-16UNF-2B	9/16"-18UNF-2B	2.9
PRD2-514D/I	PRD2-514S/I	11	48.5	99.3	1 ¹ / ₁₆ "-12UN-2B	7/8"-14UNF-2B	3.0
PRD2-514D SAE	PRD2-514S SAE	11	48.5	99.3	3/4"-16UNF-2B	9/16"-18UNF-2B	3.0
PRD2-514D3/8"-3/8"	PRD2-514S3/8"-3/8"	11	48.5	99.3	G 3/8"	G 3/8"	3.0
PRD2-515D/I	PRD2-515S/I	14	49	104.3	1 ¹ / ₁₆ "-12UN-2B	7/8"-14UNF-2B	3.2
PRD2-515D3/8"-3/8"	PRD2-515S3/8"-3/8"	14	49	104.3	G 3/8"	G 3/8"	3.2

