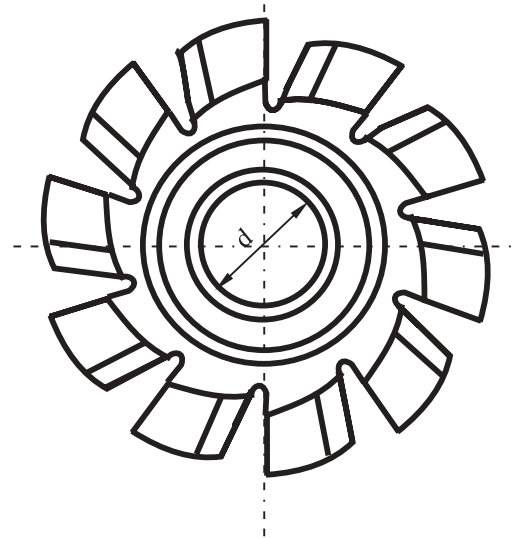
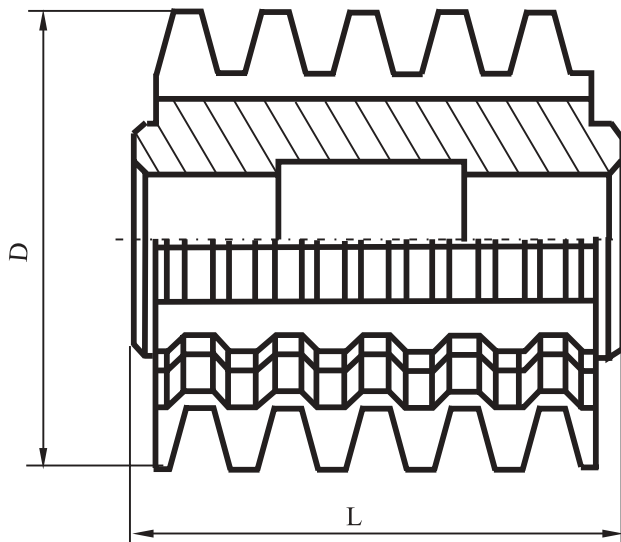




## Freze melc monobloc pentru arbori canelati Monoblock hobbing cutters for splined shafts

STAS 7678/2-82



Profil in evolventa

Involute gear

Modul m ( mm )	D mm	d mm	L mm	Nr. de dinti	Pret ( )
1	2	3	4	5	6
1	50	22	32	14	
1.25	50	22	40	14	
1.5	56	22	45	12	
2	63	27	50	12	
2.5	71	27	63	12	
3	80	32	71	12	
3.5	80	32	71	12	
4	90	32	80	12	
5	90	32	90	12	
6	112	40	112	12	
8	118	40	118	10	
10	140	40	150	10	