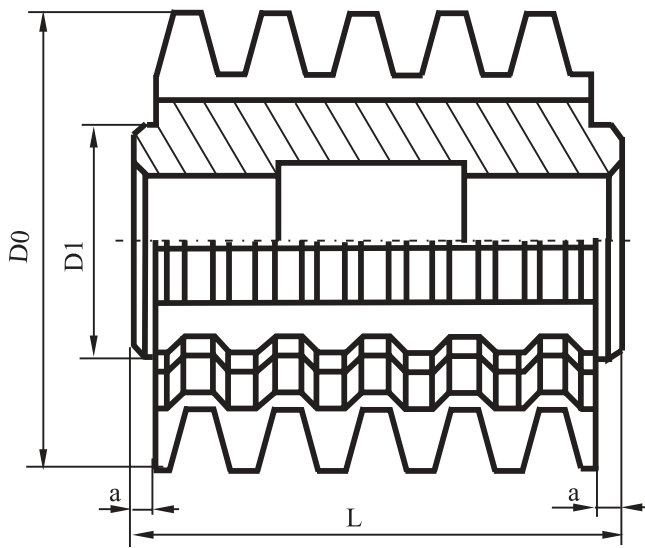


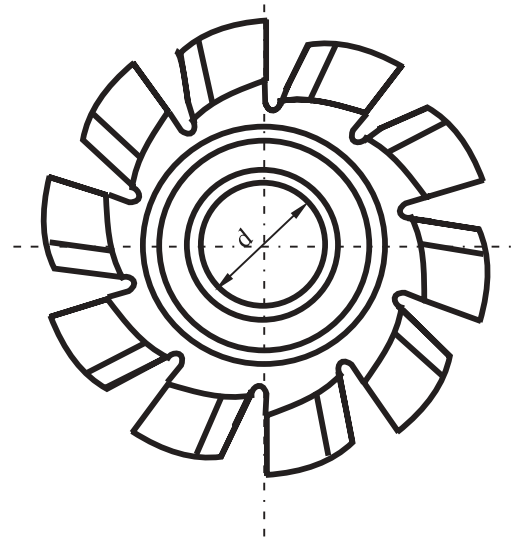


# Freze melc modul pentru mecanica fina Hobbing cutters for fine mechanics

## STR M-290/1-87



Tipul I ( Do = 25 mm )



Type I

Modul							
I	II	D1	Do	L	a	Nr. de dinti	Pret ( )
m ( mm )		mm	mm	mm	mm		
1	2	3	4	5	6	7	8
0.15		16	8	12	3	10	
	0.18	16	8	12	3	10	
0.2		16	8	12	3	10	
	0.22	16	8	12	3	10	
0.25		16	8	12	3	10	
	0.28	16	8	16	3	10	
0.3		16	8	16	3	10	
	0.35	16	8	16	3	10	
0.4		16	8	16	3	10	
	0.45	16	8	16	3	10	
0.5		16	8	16	3	10	

Tipul II ( Do = 32 mm )

Type II

1	2	3	4	5	6	7	8
0.15		20	13	16	3	10	
	0.18	20	13	16	3	10	
0.20		20	13	16	3	10	
	0.22	20	13	16	3	10	
0.25		20	13	16	3	10	
	0.28	20	13	16	3	10	
0.30		20	13	16	3	10	
	0.35	20	13	16	3	10	
0.40		20	13	16	3	10	
	0.45	20	13	16	3	10	
0.50		20	13	16	3	10	
	0.55	20	13	16	3	10	
0.60		20	13	16	3	10	
	0.70	20	13	16	3	10	
0.80		20	13	16	3	10	
	0.90	20	13	16	3	10	

Tipul III ( Do = 40 mm )

Type III

1	2	3	4	5	6	7	8
0.50		25	16	28	4	12	
	0.55	25	16	28	4	12	
0.60		25	16	28	4	12	
	0.70	25	16	28	4	12	
0.80		25	16	28	4	12	
	0.90	25	16	28	4	12	