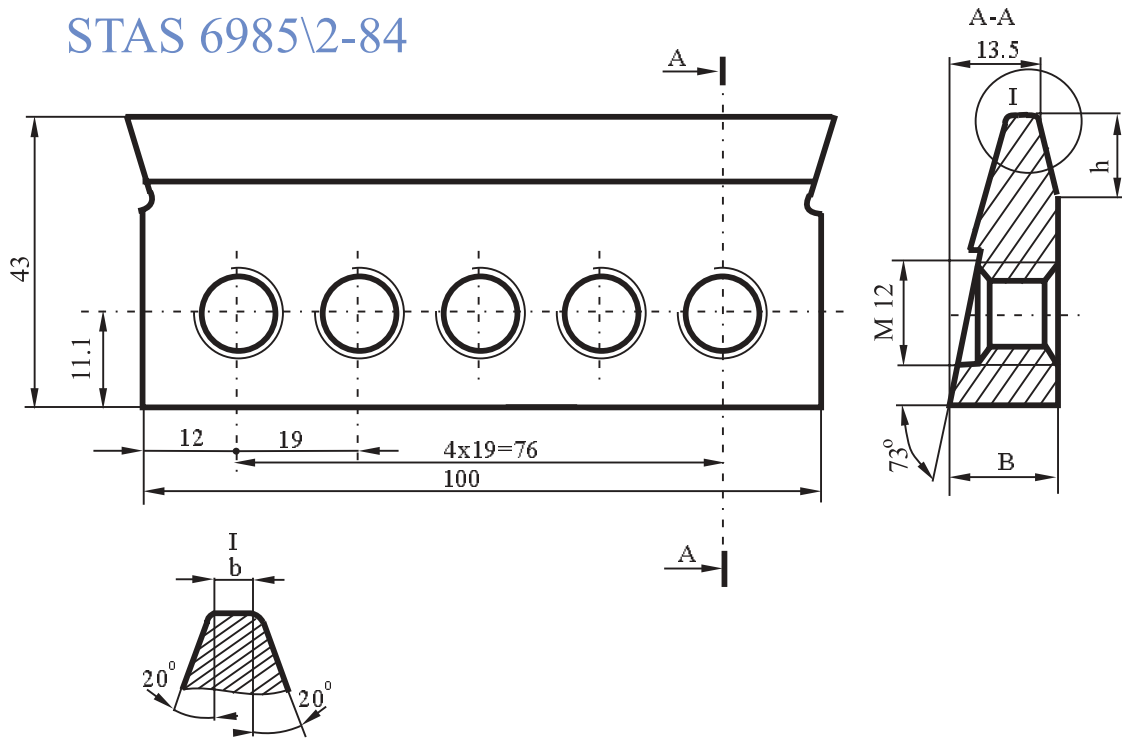




Cutite de rabotat roți dintate conice tip III Tapered gear planing tools III type

STAS 6985\2-84



Modul mm	B mm	h mm	b mm	Pret ()
1	2	3	4	5
1...1.125	14.59	3	0.4	
1.25...1.375	14.70	3.3	0.5	
1.5...1.75	15.03	4.2	0.6	
2...2.25	15.59	5.3	0.8	
2.5...2.75	15.87	6.5	1	
3...3.25	16.27	7.6	1.2	
3.5	16.70	8.8	1.4	
3.75	16.70	8.8	1.4	
4...4.25	17.36	10.6	1.6	
4.5	17.36	10.6	1.6	
5...5.5	18.23	13	2	
6...6.5	19.14	15.5	2.4	
7	19.51	16.5	2.8	
8	20.42	19	3.2	
9	21.33	21.5	3.6	
10	22.24	24	4	