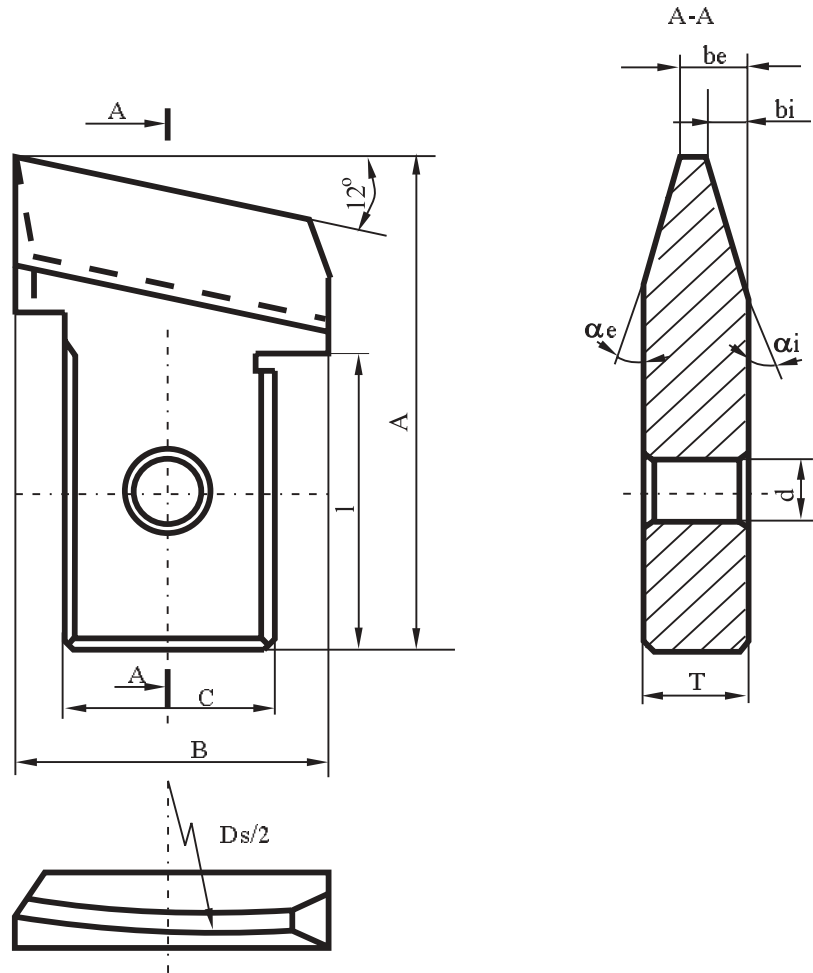


Cutite de danturat in arc de cerc (tip Gleason) Tapered gear tools (Gleason type)



Diametrul nominal Ds (inch)	A mm	B mm	C mm	T mm	l mm	d mm	Nr. buc./ set	Pret ()
1	2	3	4	5	6	7	8	9
6	41.9	23.5	20.62	9	25.4	12	12	
9	55.4	36	25.39	13	31.6	12	16	
12	67.2	44	28.56	15	38	14	20	
18	85.0	40	30.00	20	40	16	24	