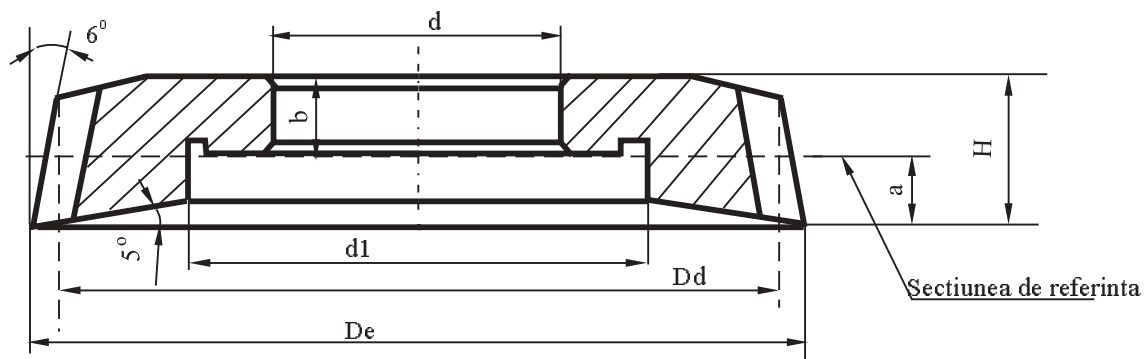


Cutit roata tip I-disc Gear cutters disk-shape type I

STAS 6655/2-80



Diametrul de divizare / Nominal pitch diameter **$Dd \cong 75\text{mm}$**

Modul m (mm)	Numar de dinti z	Diametrul			Inaltimea cutitului H (mm)	Pret ()
		de divizare Dd (mm)	de varf De (mm)	alezajului d (mm)		
1	2	3	4	5	6	7
1	76	76	79.76	31.743	12	
1.125	67	75.375	79.55	31.743	12	
1.25	60	75	79.58	31.743	12	
1.375	56	77	81.93	31.743	12	
1.5	50	75	80.26	31.743	12	
1.75	43	75.25	81.25	31.743	15	
2	38	76	82.68	31.743	15	
2.25	34	76.5	83.30	31.743	15	
2.5	30	75	82.40	31.743	15	
2.75	28	77	85.38	31.743	17	
3	25	75	83.80	31.743	17	
3.25	24	78	87.42	31.743	17	
3.5	22	77	86.98	31.743	17	
3.75	20	75	85.54	31.743	17	
4	19	76	87.24	31.743	17	
4.25	18	76.5	88.46	31.743	17	
4.5	17	76.5	89.14	31.743	17	



Cutit roata tip I-disc Gear cutters disk-shape type I

STAS 6655/2-80

Diametrul de divizare / Nominal pitch diameter **Dd** \cong 100mm

Modul m (mm)	Numar de dinti z	Diametrul			Inaltimea cutitului H (mm)	Pret ()
		de divizare Dd (mm)	de varf De (mm)	alezajului d (mm)		
1	2	3	4	5	6	7
1	100	100	104.6	44.443	17	
1.125	90	101.25	106.17	44.443	17	
1.25	80	100	105.23	44.443	17	
1.375	73	100.375	105.98	44.443	17	
1.5	68	102	107.96	44.443	17	
1.75	58	101.5	108.19	44.443	17	
2	50	100	107.31	44.443	20	
2.25	45	101.25	109.29	44.443	20	
2.5	40	100	108.46	44.443	20	
2.75	36	99	108.36	44.443	20	
3	34	102	111.82	44.443	20	
3.25	31	102.75	110.99	44.443	20	
3.5	28	98	108.72	44.443	20	
3.75	27	101.25	112.35	44.443	20	
4	25	100	111.75	44.443	20	
4.25	24	102	114.12	44.443	20	
4.5	22	99	111.65	44.443	20	
5	20	100	114.05	44.443	20	
5.5	19	104.5	119.96	44.443	22	
6	17	102	118.86	44.443	22	
6.5	16	104	122.27	44.443	22	

Diametrul de divizare / Nominal pitch diameter **Dd** \cong 125mm

1	2	3	4	5	6	7
5	25	125	139.32	44.443	6	
5.5	23	126.5	141.96	44.443	6	
6	21	126	142.86	44.443	6	
6.5	19	123.5	141.75	44.443	6	
7	18	126	145.68	44.443	6	
8	16	128	150.18	44.443	6	
9	14	126	154.30	44.443	6	

Diametrul de divizare / Nominal pitch diameter **Dd** \cong 160mm

1	2	3	4	5	6	7
8	20	160	182.18	88.9	30	
9	18	162	187.30	88.9	30	
10	16	160	188.10	88.9	30	

Diametrul de divizare / Nominal pitch diameter **Dd** \cong 200mm

1	2	3	4	5	6	7
10	20	200	228.10	101.6	40	
11	18	198	228.92	101.6	40	
12	16	192	225.70	101.6	40	