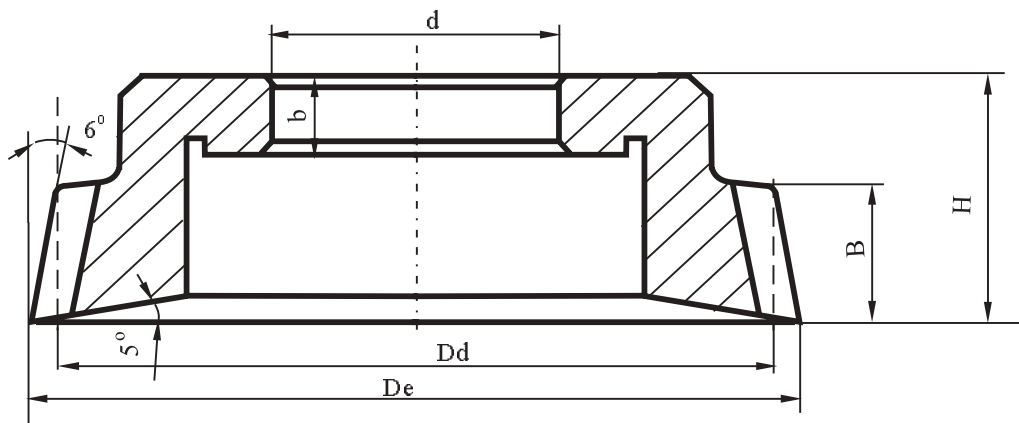




Cutit roata tip II-oala

Gear cutters bell-shape type II

STAS 6655/2-80



Diametrul de divizare / Nominal pitch diameter **Dd ≈ 50mm**

Modul m (mm)	Numar de dinti z	Diametrul			Inaltimea partii active B (mm)	Inaltimea cutitului H (mm)	Pret ()
		de divizare Dd (mm)	de varf De (mm)	alezajului d (mm)			
1	2	3	4	5	6	7	8
1.125	44	49.5	52.55	20	12	25	
1.25	40	50	53.38	20	12	25	
1.375	36	49.5	53.23	20	12	25	
1.5	34	51	55.06	20	12	25	
1.75	29	50.75	55.49	20	15	25	
2	25	50	55.42	20	15	25	
2.25	22	49.5	55.60	20	15	25	
2.5	20	50	56.78	20	15	25	
2.75	18	49.5	56.95	20	15	25	
3	17	51	59.14	20	17	25	
3.25	15	48.75	57.56	20	17	25	
3.5	14	49	58.48	20	17	25	