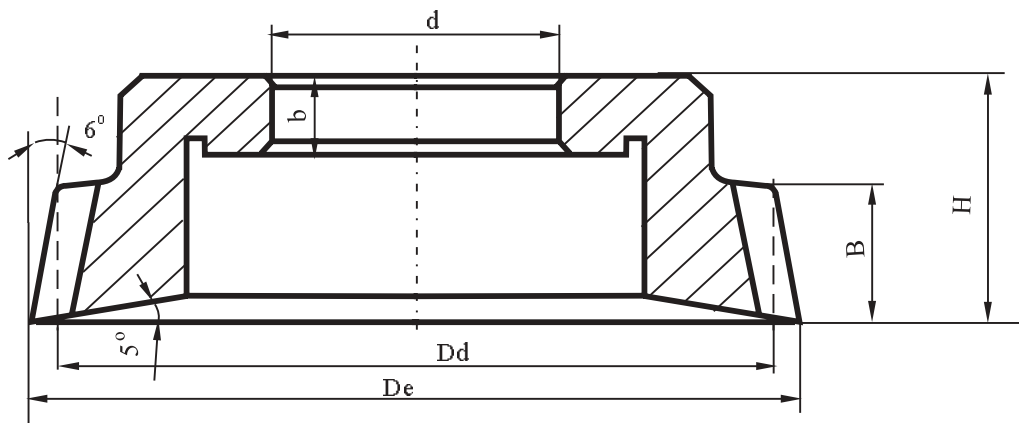




Cutit roata tip II-oala

Gear cutters bell-shape type II

STAS 6655/2-80



Diametrul de divizare / Nominal pitch diameter **Dd ≈ 50mm**

Modul m (mm)	Numar de dinti z	Diametrul			Inaltimea partii active B (mm)	Inaltimea cutitului H (mm)	Pret ()
		de divizare Dd (mm)	de varf De (mm)	alezajului d (mm)			
1	2	3	4	5	6	7	8
1.125	44	49.5	52.55	20	12	25	
1.25	40	50	53.38	20	12	25	
1.375	36	49.5	53.23	20	12	25	
1.5	34	51	55.06	20	12	25	
1.75	29	50.75	55.49	20	15	25	
2	25	50	55.42	20	15	25	
2.25	22	49.5	55.60	20	15	25	
2.5	20	50	56.78	20	15	25	
2.75	18	49.5	56.95	20	15	25	
3	17	51	59.14	20	17	25	
3.25	15	48.75	57.56	20	17	25	
3.5	14	49	58.48	20	17	25	

STAS 6655/2-80

Diametrul de divizare / Nominal pitch diameter $Dd \cong 75\text{mm}$

Modul m (mm)	Numar de dinti z	Diametrul			Inaltimea partii active B (mm)	Inaltimea cutitului H (mm)	Pret ()
		de divizare Dd (mm)	de varf De (mm)	alezajului d (mm)			
1	2	3	4	5	6	7	8
1.125	67	75.375	79.55	31.743	12	28	
1.25	60	75	79.58	31.743	12	28	
1.375	56	77	81.93	31.743	12	28	
1.5	50	75	80.26	31.743	12	28	
1.75	43	75.25	81.25	31.743	15	30	
2	38	76	82.68	31.743	15	30	
2.25	44	76.5	83.3	31.743	15	30	
2.5	30	75	82.4	31.743	15	30	
2.75	28	77	85.38	31.743	17	30	
3	25	75	83.8	31.743	17	30	
3.25	24	78	87.42	31.743	17	30	
3.5	22	77	86.98	31.743	17	30	

Diametrul de divizare / Nominal pitch diameter $Dd \cong 100\text{mm}$

1	2	3	4	5	6	7	8
1.125	90	101.25	106.17	44.443	17	30	
1.25	80	100	105.23	44.443	17	30	
1.375	73	100.375	105.98	44.443	17	30	
1.5	68	102	107.96	44.443	17	30	
1.75	58	101.5	108.19	44.443	17	30	
2	50	100	107.31	44.443	20	32	
2.25	45	101.25	109.29	44.443	20	32	
2.5	40	100	108.46	44.443	20	32	
2.75	36	99	108.36	44.443	20	32	
3	34	102	111.82	44.443	20	32	
3.25	31	100.75	110.99	44.443	20	32	
3.5	28	98	108.72	44.443	20	32	
3.75	27	101.25	112.35	44.443	20	32	
4	25	100	111.75	44.443	20	32	
4.25	24	102	114.12	44.443	20	32	
4.5	22	99	111.65	44.443	20	32	
5	20	100	114.05	44.443	20	32	
5.5	19	104.5	119.96	44.443	22	34	
6	17	102	118.86	44.443	22	34	
6.5	16	104	122.27	44.443	22	34	

Diametrul de divizare / Nominal pitch diameter $Dd \cong 125\text{mm}$

1	2	3	4	5	6	7	8
5	25	125	139.32	44.443	26	38	
5.5	23	126.5	141.96	44.443	26	38	
6	21	126	142.86	44.443	26	38	
6.5	19	123.5	141.76	44.443	26	38	
7	18	126	145.68	44.443	26	38	
8	16	128	150.48	44.443	26	38	
9	14	126	151.30	44.443	26	38	