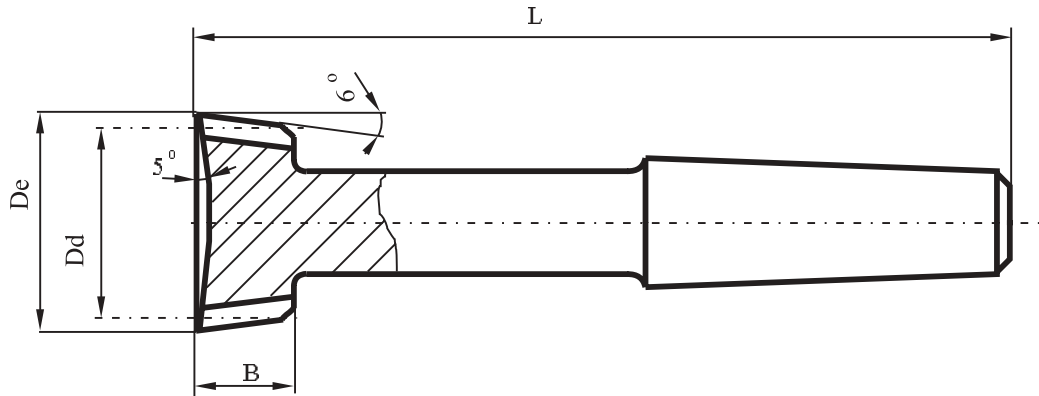




Cutit roata tip III-cu coada Gear cutters shank III type

STAS 6655/2-80



Diametrul de divizare / Nominal pitch diameter **Dd ≈ 25mm**

Modul m (mm)	Numar de dinti z	Diametrul		L (mm)	H (mm)	Pret ()
		de divizare Dd (mm)	de varf De (mm)			
1	2	3	4	5	6	7
1.125	23	25.875	28.92	76	10	
1.25	20	25	28.39	76	10	
1.375	18	24.75	28.48	76	10	
1.5	18	27	31.06	76	10	
1.75	15	26.25	30.99	78	12	
2	13	26	31.34	78	12	
1.25	12	27	33.00	78	12	
2.5	10	25	31.46	78	12	
2.75	10	27.5	34.54	81	15	
3	9	27	34.71	81	15	

Diametrul de divizare / Nominal pitch diameter **Dd ≈ 38mm**

1	2	3	4	5	6	7
1.125	34	38.25	41.30	97	12	
1.25	30	37.5	40.89	97	12	
1.375	28	38.5	42.23	97	12	
1.5	25	37.5	41.57	97	12	
1.75	22	38.5	43.24	100	15	
2	19	38	43.42	100	15	
2.25	16	36	41.94	100	15	
2.5	15	37.5	44.07	100	15	
2.75	14	38.5	45.69	100	15	
3	12	36	43.71	100	15	
3.25	12	39	47.31	100	15	
3.5	11	38.5	47.36	100	15	
3.75	10	37.5	46.87	102	17	
4	9	36	46	102	17	