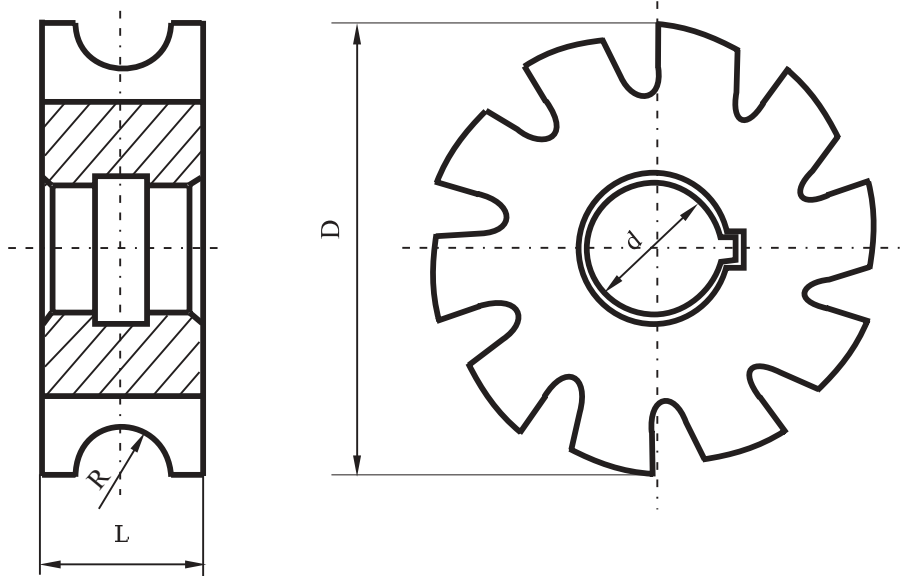




Freza concava  
Concave milling cutter

STAS 3540-80



R mm	D mm	L mm	d mm	Nr. de dinti z	Pret ( )
1	2	3	4	5	6
1	50	6	16	14	
1.25	50	6	16	14	
1.6	50	8	16	14	
2	5063	9	16	14	
2.5	63	10	22	12	
3	63	12	22	12	
4	63	16	22	12	
5	63	20	22	12	
6	80	24	27	10	
8	80	32	27	10	
10	100	36	32	10	
12	100	40	32	10	
16	125	50	32	10	
20	125	60	32	10	