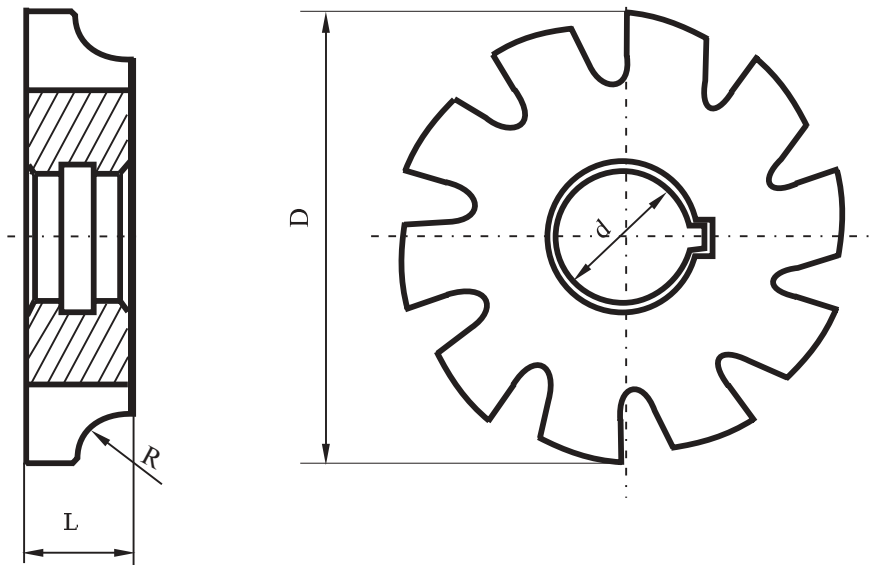


Freza semiconcava  
1/4 concave milling cutter

STAS 3545-80



R mm	D mm	L mm	d mm	Nr. de dinti z	Pret ( )
1	2	3	4	5	6
1	50	4	16	14	
1.25	50	4	16	14	
1.6	50	5	16	14	
2	50	5	16	14	
2.5	63	5	22	12	
3	63	6	22	12	
4	63	8	22	12	
5	63	10	22	12	
6	80	12	27	10	
8	80	16	27	10	
10	100	18	32	10	
12	100	20	32	10	
16	125	24	32	10	
20	125	28	32	10	