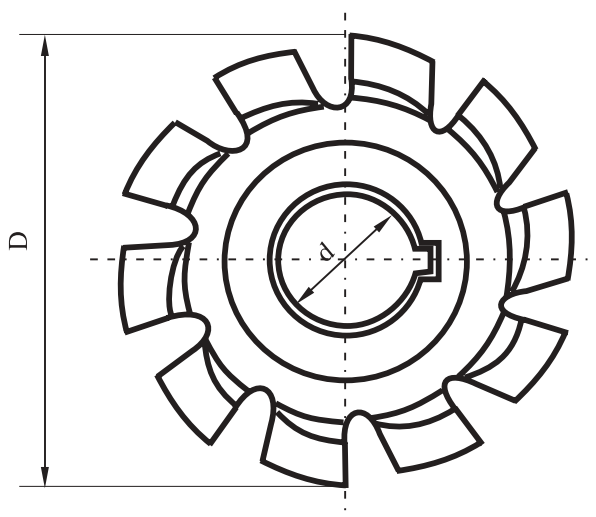




Freza convexa
Convex milling cutter

STAS 3546-80



R mm	D mm	L mm	d mm	Nr. de dinti z	Pret ()
1	2	3	4	5	6
1	50	2	16	14	
1.25	50	2.5	16	14	
1.6	50	3.2	16	14	
2	50	4	16	14	
2.5	63	5	22	12	
3	63	6	22	12	
4	63	8	22	12	
5	63	10	22	12	
6	80	12	27	12	
8	80	16	27	12	
10	100	20	32	10	
12	100	24	32	10	
16	125	32	32	10	
20	125	40	32	10	