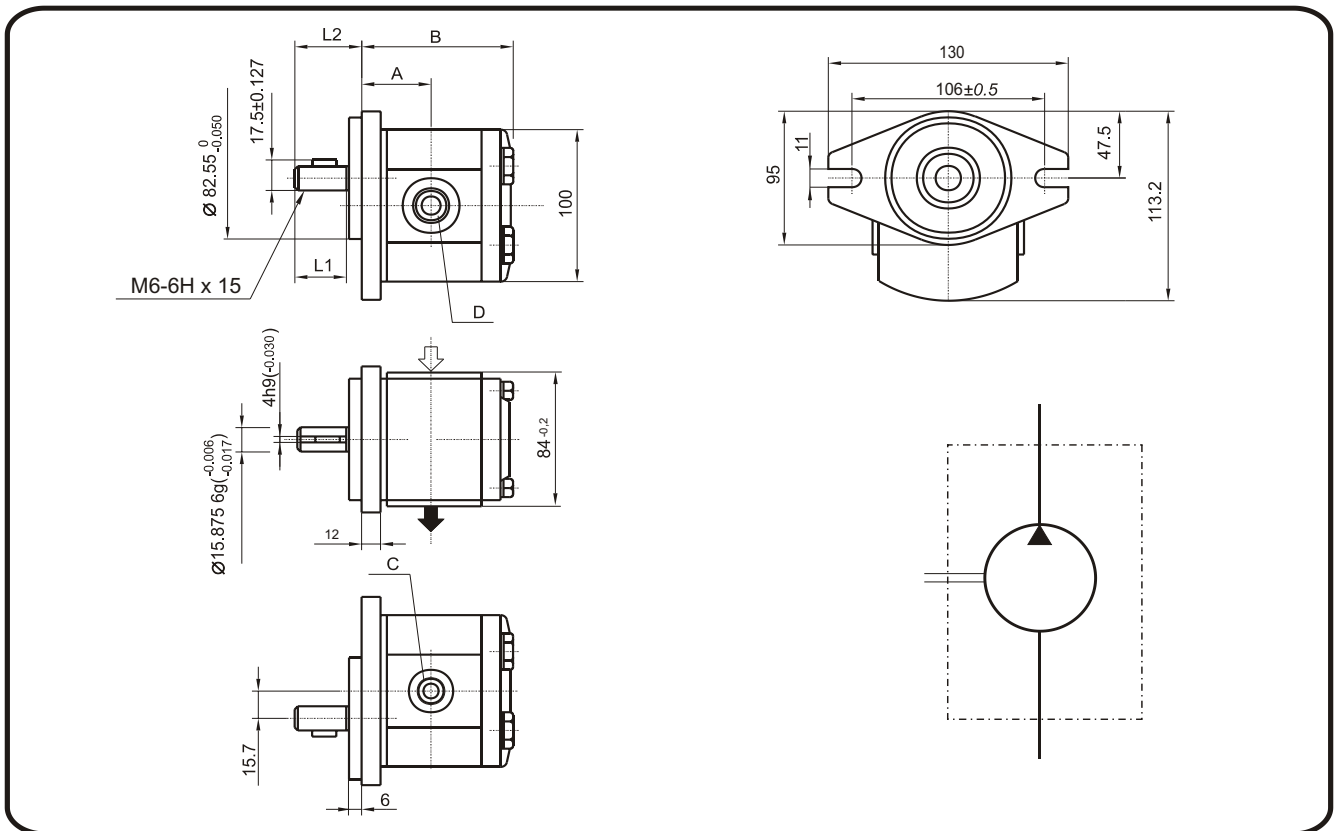


PRD 2

7.1.0 /II*
7.1.0 /IIL*



Type code		Displacement cm ³ /rev	Dimensions						Weight Kg
			A	B	C	D	L ₁	L ₂	
PRD2-711D/II	PRD2-711S/II	4	41.4	87.7	1 1/16" - 12 UN - 2B	7/8" - 14 UNF - 2B	24	32	2.8
PRD2-711D/IIL	PRD2-711S/IIL						50.8	58.8	
PRD2-712D/II	PRD2-712S/II	5.5	42.6	90.2			24	32	2.85
PRD2-712D/IIL	PRD2-712S/IIL						50.8	58.8	
PRD2-713D/II	PRD2-713S/II	8	44.7	94.3			24	32	2.90
PRD2-713D/IIL	PRD2-713S/IIL						50.8	58.8	
PRD2-714D/II	PRD2-714S/II	11	48.5	99.3			24	32	3.0
PRD2-714D/IIL	PRD2-714S/IIL						50.8	58.8	
PRD2-715D/II	PRD2-715S/II	14	49	104.3			24	32	3.2
PRD2-715D/IIL	PRD2-715S/IIL						50.8	58.8	
PRD2-716D/II	PRD2-716S/II	16	49	107.7			24	32	3.4
PRD2-716D/IIL	PRD2-716S/IIL						50.8	58.8	
PRD2-717D/II	PRD2-717S/II	19	49	112.7			24	32	3.6
PRD2-717D/IIL	PRD2-717S/IIL						50.8	58.8	
PRD2-718D/II	PRD2-718S/II	22.5	56.6	118.1	1 5/16" - 12UN-2B	24	32	3.8	
PRD2-718D/IIL	PRD2-718S/IIL					50.8	58.8		
PRD2-719D/II	PRD2-719S/II	26	60	124.0		24	32	4.0	
PRD2-719D/IIL	PRD2-719S/IIL					50.8	58.8		