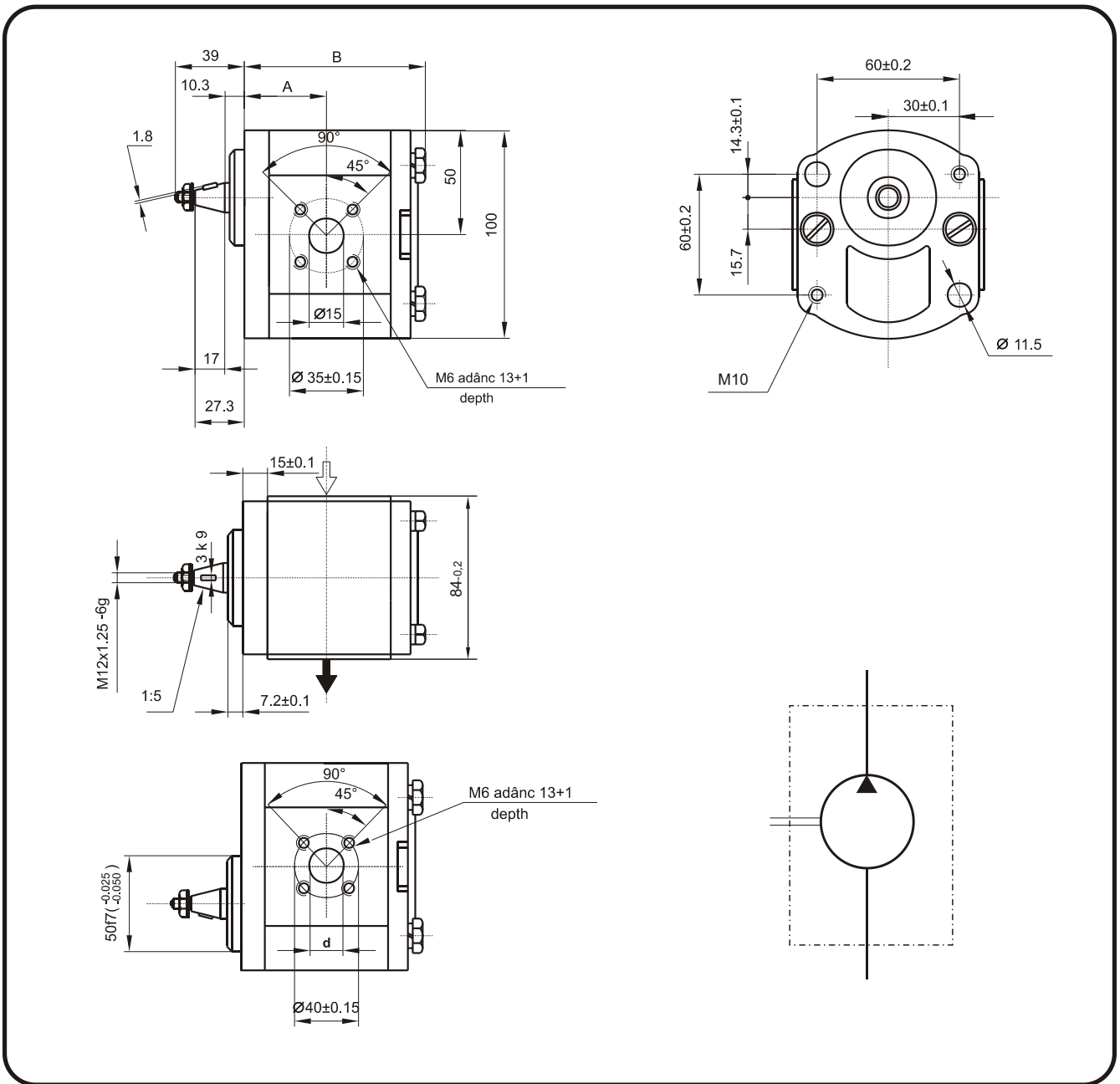




# PRD 2

## 11.1.0



Type code		Displacement cm <sup>3</sup> /rev	Dimensions				Weight Kg
			A	B	d		
PRD2-1111D	PRD2-1111S	4	37.3	82.7	15		2.4
PRD2-1112D	PRD2-1112S	5.5	38.7	85.2	15		2.45
PRD2-1113D	PRD2-1113S	8	40.75	89.3	20		2.5
PRD2-1114D	PRD2-1114S	11	44.5	94.3	20		2.6
PRD2-1115D	PRD2-1115S	14	45	99.3	20		2.8
PRD2-1116D	PRD2-1116S	16	45	102.7	20		3.0
PRD2-1117D	PRD2-1117S	19	45	107.7	20		3.2
PRD2-1118D	PRD2-1118S	22.5	52.6	113.1	20		3.4