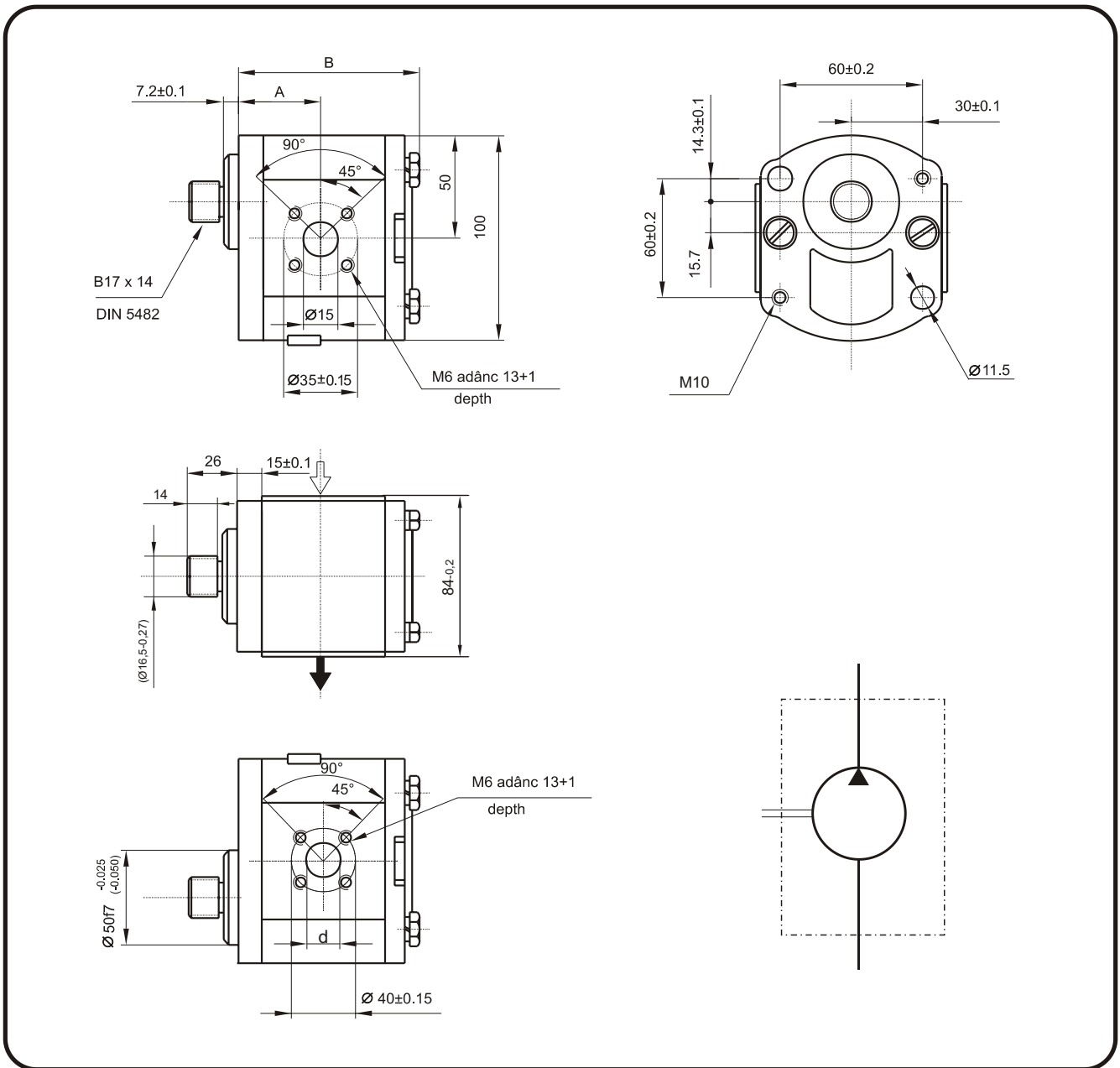




PRD 2

16.1.0



Type code		Displacement cm ³ /rev	Dimensions				Weight Kg
			A	B	d		
PRD2-1611D	PRD2-1611S	4	37.3	82.7	15		2.4
PRD2-1612D	PRD2-1612S	5.5	38.7	85.2	15		2.45
PRD2-1613D	PRD2-1613S	8	40.75	89.3	20		2.5
PRD2-1614D	PRD2-1614S	11	44.5	94.3	20		2.6
PRD2-1615D	PRD2-1615S	14	45	99.3	20		2.8
PRD2-1616D	PRD2-1616S	16	45	102.7	20		3
PRD2-1617D	PRD2-1617S	19	45	107.7	20		3.2
PRD2-1618D	PRD2-1618S	22.5	52.6	113.1	20		3.4
PRD2-1619D	PRD2-1619S	26	56	119.5	22		3.4