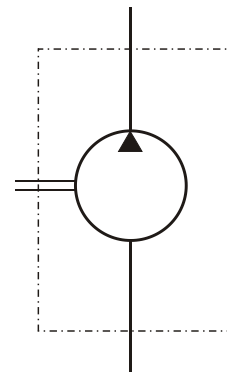
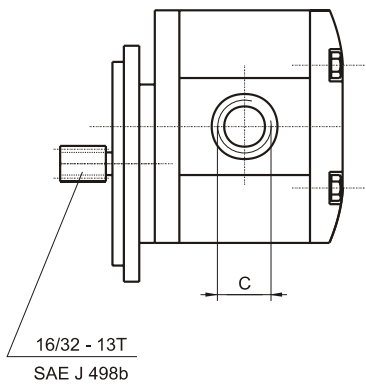
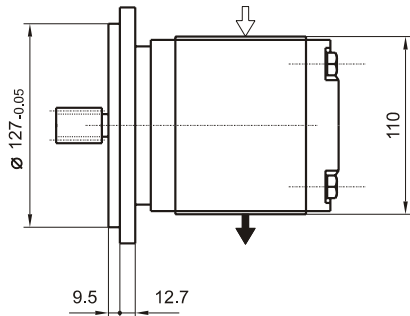
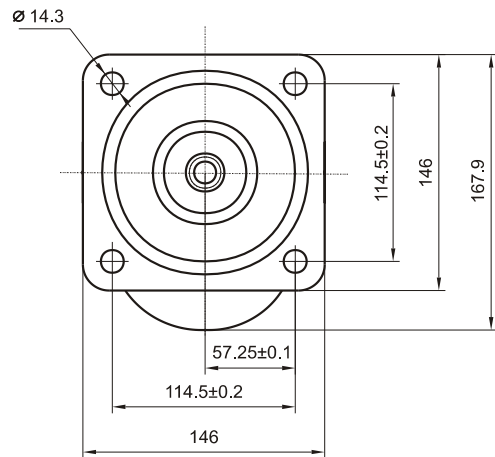
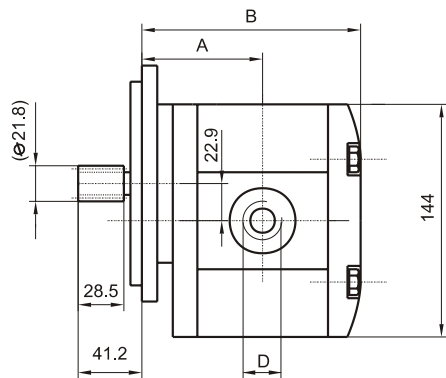


PRD 3

4.1.0 /I*



Type code		Displacement cm ³ /rev	Dimensions				Weight Kg
			A	B	C	D	
PRD3-411D/I	PRD3-411S/I	22.5	92.5	160.2	1.5/8" 12 UN-2B	1.5/16" 12 UN-2B	11
PRD3-412D/I	PRD3-412S/I	28	94.5	165.2			11.2
PRD3-413D/I	PRD3-413S/I	32	96	168.7			11.4
PRD3-414D/I	PRD3-414S/I	38	98	174.2			11.7
PRD3-415D/I	PRD3-415S/I	45	101	180.7			11.9
PRD3-416D/I	PRD3-416S/I	56	108.7	191.7	1.7/8" 12 UN-2B	12.4	
PRD3-417D/I	PRD3-417S/I	63	112.1	198.3			
PRD3-418D/I	PRD3-418S/I	70	118.7	205			