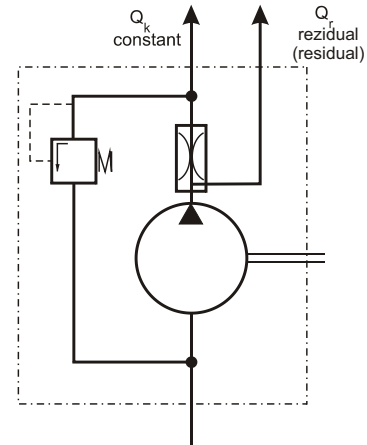
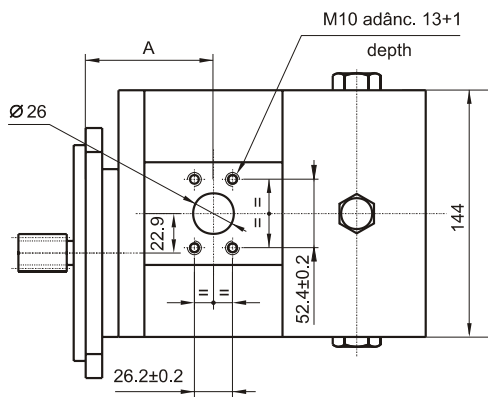
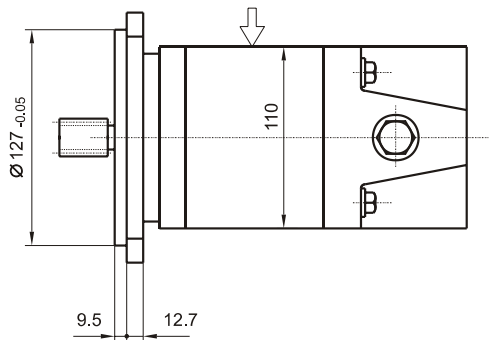
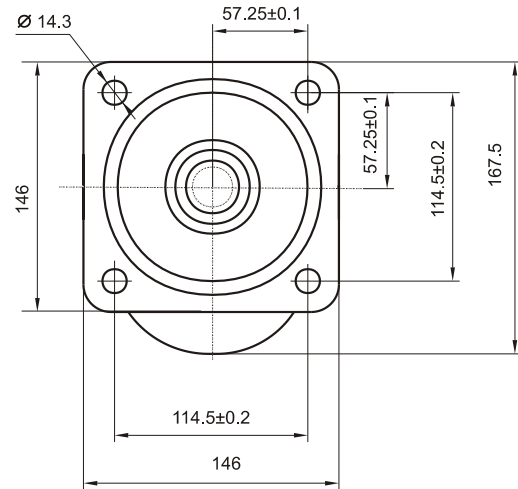
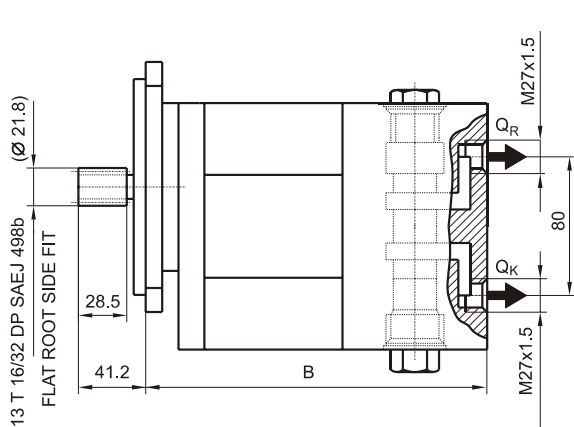


PRD 3

4.8.0 xy



Presiunea de descărcare a supapei
Discharge pressure of the relief valve

x	1	2	3	4	5			
P_d [bar]	63	80	100	125	160			

y	1	2	3	4	
Q_k (l/min)	30	35	40	50	

Type code		Displacement cm^3/rev	Dimensions			Weight Kg
			A	B		
PRD3-481Dxy	PRD3-481Sxy	22.5	92.5	205.2		12.6
PRD3-482Dxy	PRD3-482Sxy	28	94.5	210.2		12.7
PRD3-483Dxy	PRD3-483Sxy	32	96	213.7		12.8
PRD3-484Dxy	PRD3-484Sxy	38	98	219.2		13.1
PRD3-485Dxy	PRD3-485Sxy	45	101	225.7		13.3
PRD3-486Dxy	PRD3-486Sxy	56	108.9	236.7		13.6