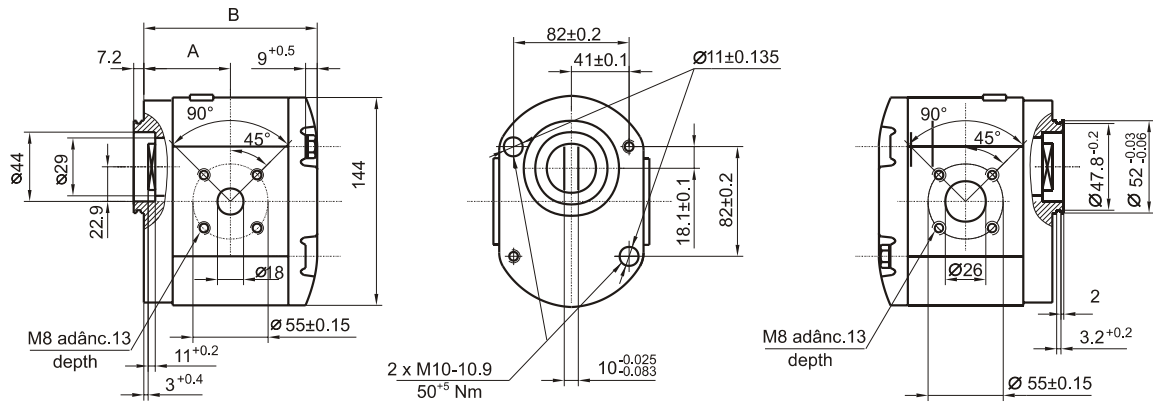




PRD 3

6.1.0



Type code		Displacement cm ³ /rev	Dimensions				Weight Kg
			A	B			
PRD3-611D	PRD3-611S	22.5	61	128.7			9.0
PRD3-612D	PRD3-612S	28	63	133.7			9.7
PRD3-613D	PRD3-613S	32	64.5	137.2			9.2
PRD3-614D	PRD3-614S	38	66.5	142.7			9.5
PRD3-615D	PRD3-615S	45	69.5	149.2			9.7