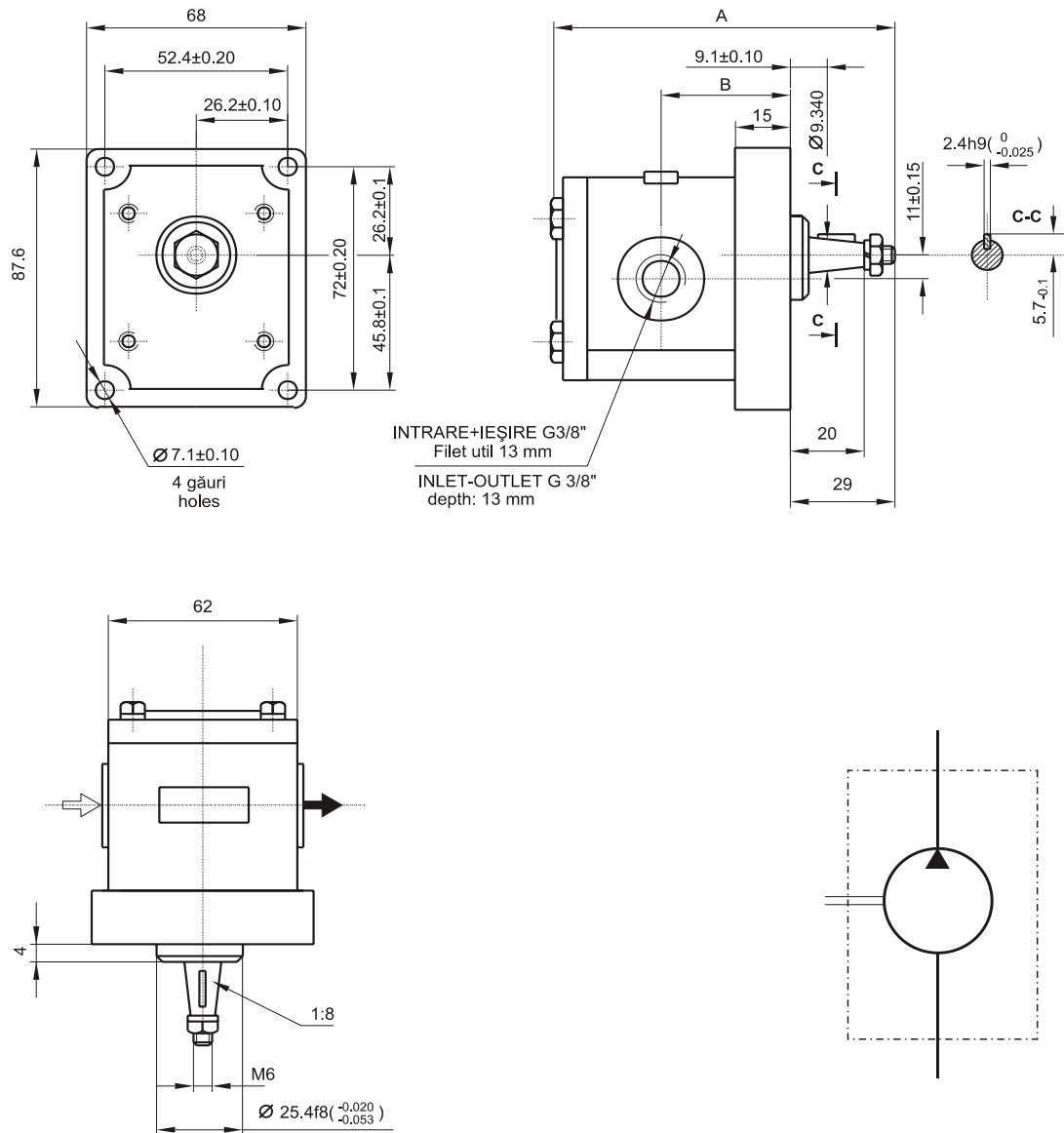


PRD 1

2.1.0 G 3/8"



Type code		Displacement cm ³ /rev	Dimensions				Weight Kg
			A	B			
PRD1-211D G 3/8"	PRD1-211S G 3/8"	1	99	33			0.8
PRD1-212D G 3/8"	PRD1-212S G 3/8"	1.25	100	33			0.8
PRD1-213D G 3/8"	PRD1-213S G 3/8"	1.75	102	34			0.85
PRD1-214D G 3/8"	PRD1-214S G 3/8"	2.25	104	35			0.9
PRD1-215D G 3/8"	PRD1-215S G 3/8"	2.75	106	36			1.0
PRD1-216D G 3/8"	PRD1-216S G 3/8"	3.25	108	37			1.0
PRD1-217D G 3/8"	PRD1-217S G 3/8"	3.75	111	38			1.0
PRD1-218D G 3/8"	PRD1-218S G 3/8"	4.25	113	39			1.1
PRD1-219D G 3/8"	PRD1-219S G 3/8"	5	116	41			1.1
PRD1-2110D G 3/8"	PRD1-2110S G 3/8"	6	120	43			1.2
PRD1-2111D G 3/8"	PRD1-2111S G 3/8"	8	128.2	47.1			1.3