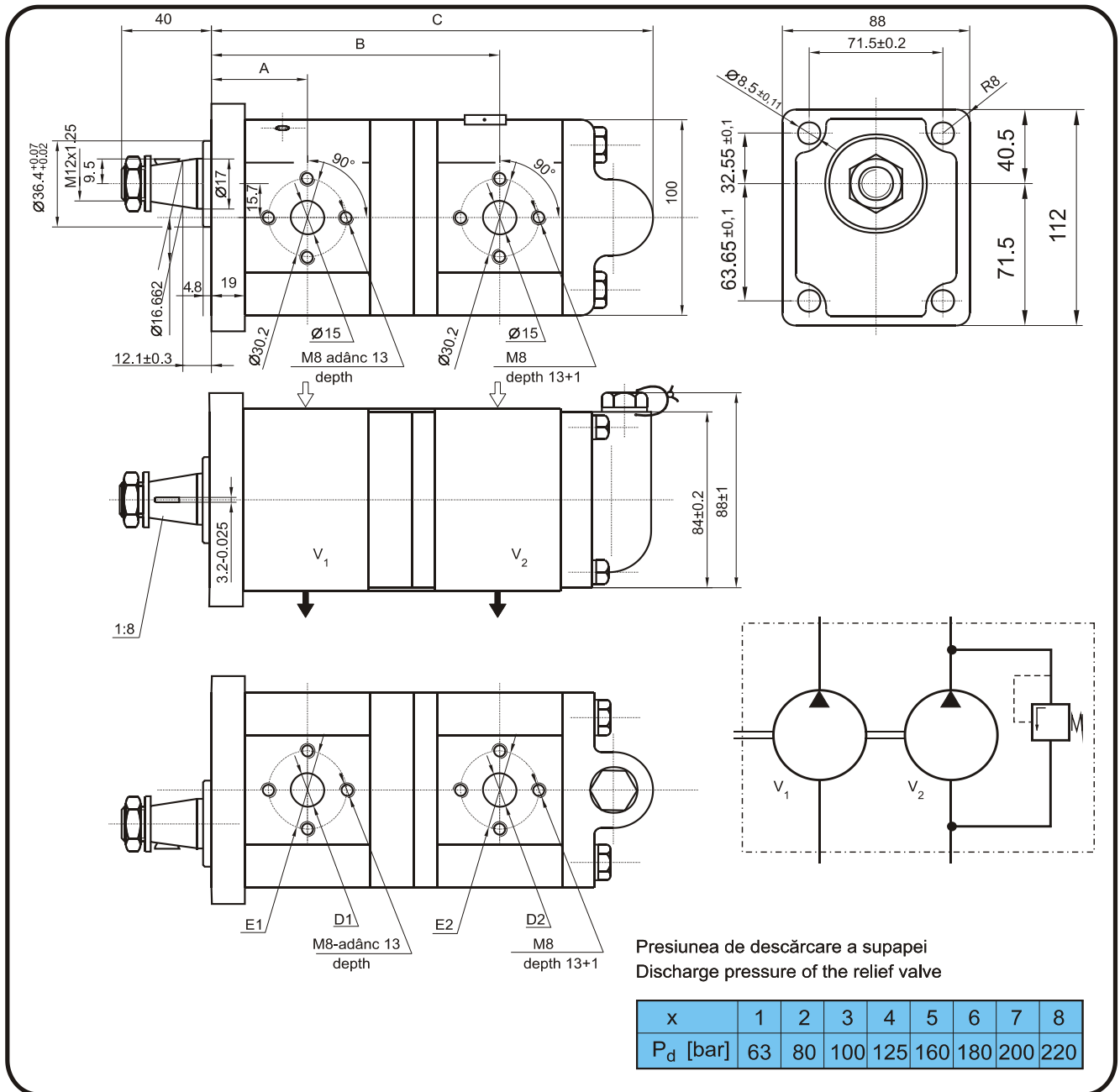


PRD 22

2.2.00 x



Type code		Displacement V ₁ +V ₂ cm ³ /rev	Dimensions								Weight Kg
			A	B	C	D1	E1	D2	E2		
PRD22-2241Dx	PRD22-2241Sx	11+4	48.5	134.8	200	20	39.7	15	30.2	7	
PRD22-2244Dx	PRD22-2244Sx	11+11	48.5	141.9	211.7	20	39.7	20	39.7	7.2	
PRD22-2251Dx	PRD22-2251Sx	14+4	49	139.8	205	20	39.7	15	30.2	7.1	
PRD22-2252Dx	PRD22-2252Sx	14+5.5	49	141	207.6	20	39.7	15	30.2	7.2	
PRD22-2253Dx	PRD22-2253Sx	14+8	49	143	211	20	39.7	15	30.2	7.3	
PRD22-2261Dx	PRD22-2261Sx	16+4	49	143.2	208.5	20	39.7	15	30.2	7.1	
PRD22-2262Dx	PRD22-2262Sx	16+5.5	49	144.4	211	20	39.7	15	30.2	7.4	
PRD22-2264Dx	PRD22-2264Sx	16+11	49	150	219.6	20	39.7	20	39.7	7.6	
PRD22-2273Dx	PRD22-2273Sx	19+8	49	151.5	220	20	39.7	15	30.2	7.7	