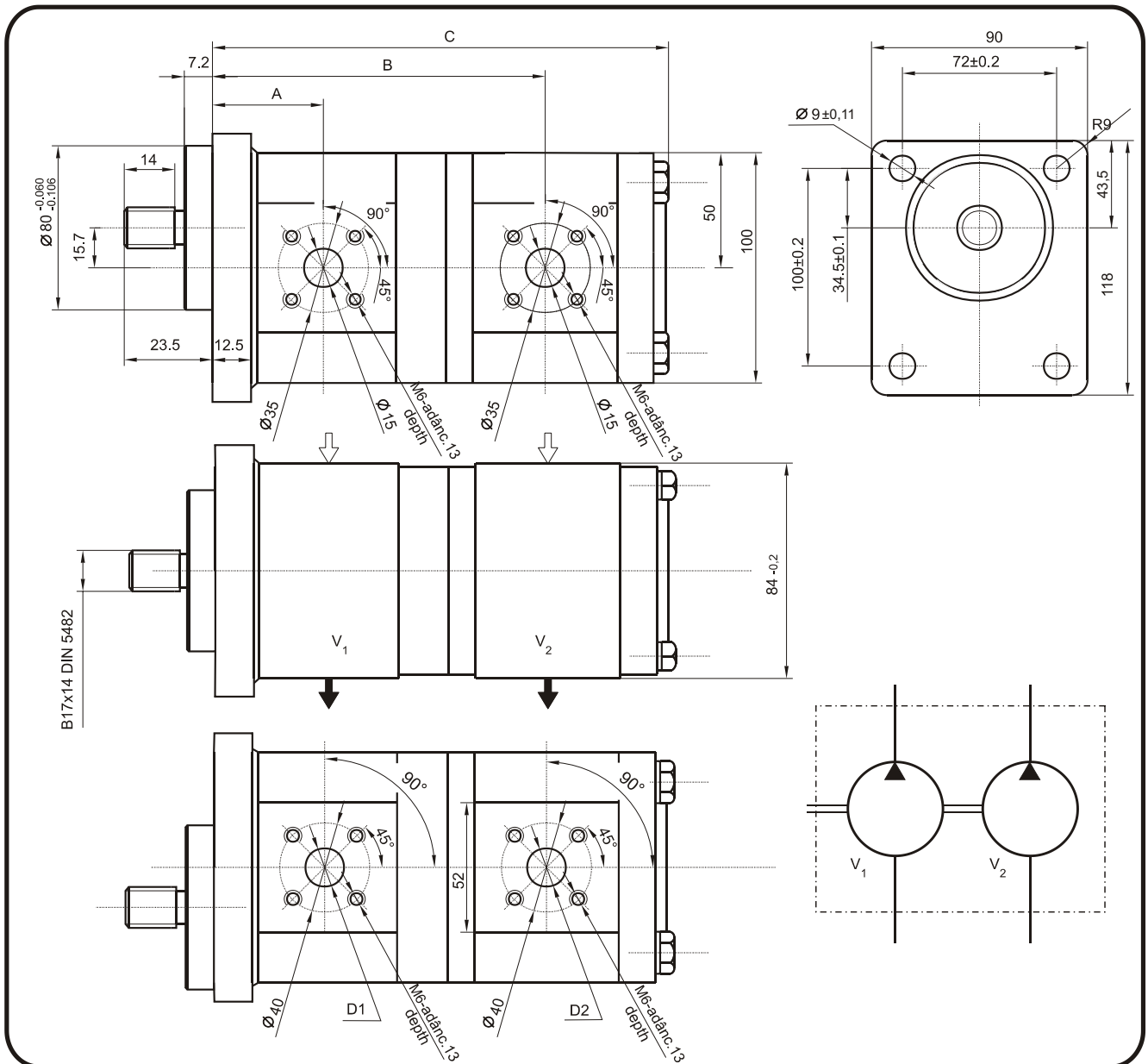




PRD 22

3.1.00



Type code		Displacement V_1+V_2 cm ³ /rev	Dimensions							Weight Kg
			A	B	C	D1	D2			
PRD22-3125D	PRD22-3125S	5.5+14	41	114.3	166.8	15	20			6.5
PRD22-3131D	PRD22-3131S	8+4	43.1	128.1	172	20	15			6.20
PRD22-3132D	PRD22-3132S	8+5.5	43.1	129.5	174.6	20	15			6.25
PRD22-3133D	PRD22-3133S	8+8	43.1	131.5	178.7	20	20			6.3
PRD22-3137D	PRD22-3137S	8+19	43.1	136	197.6	20	20			7
PRD22-3143D	PRD22-3143S	11+8	47.5	136.5	183.7	20	20			6.4
PRD22-3144D	PRD22-3144S	11+11	47.5	140.8	188.7	20	20			6.5
PRD22-3151D	PRD22-3151S	14+4	47.5	138	182	20	15			6.4
PRD22-3154D	PRD22-3154S	14+11	47.5	145.4	193.7	20	20			6.9
PRD22-3155D	PRD22-3155S	14+14	47.5	145.8	198.7	20	20			7

Type code		Displacement V_1+V_2 cm ³ /rev	Dimensions								Weight Kg
			A	B	C	D1	D2				
PRD22-3163D	PRD22-3163S	16+8	47.5	144.8	192.1	20	20				6.8
PRD22-3166D	PRD22-3166S	16+16	47.5	149.2	205.5	20	20				7.3
PRD22-3173D	PRD22-3173S	19+8	47.5	150	197	20	20				7
PRD22-3177D	PRD22-3177S	19+19	47.5	154.3	215.5	20	20				7.7
PRD22-3181D	PRD22-3181S	22.5+4	55.14	152	196	20	15				7.5
PRD22-3182D	PRD22-3182S	22.5+5.5	55.14	159.2	198	20	15				7.6
PRD22-3184D	PRD22-3184S	22.5+11	55.14	159.2	208	20	20				7.8