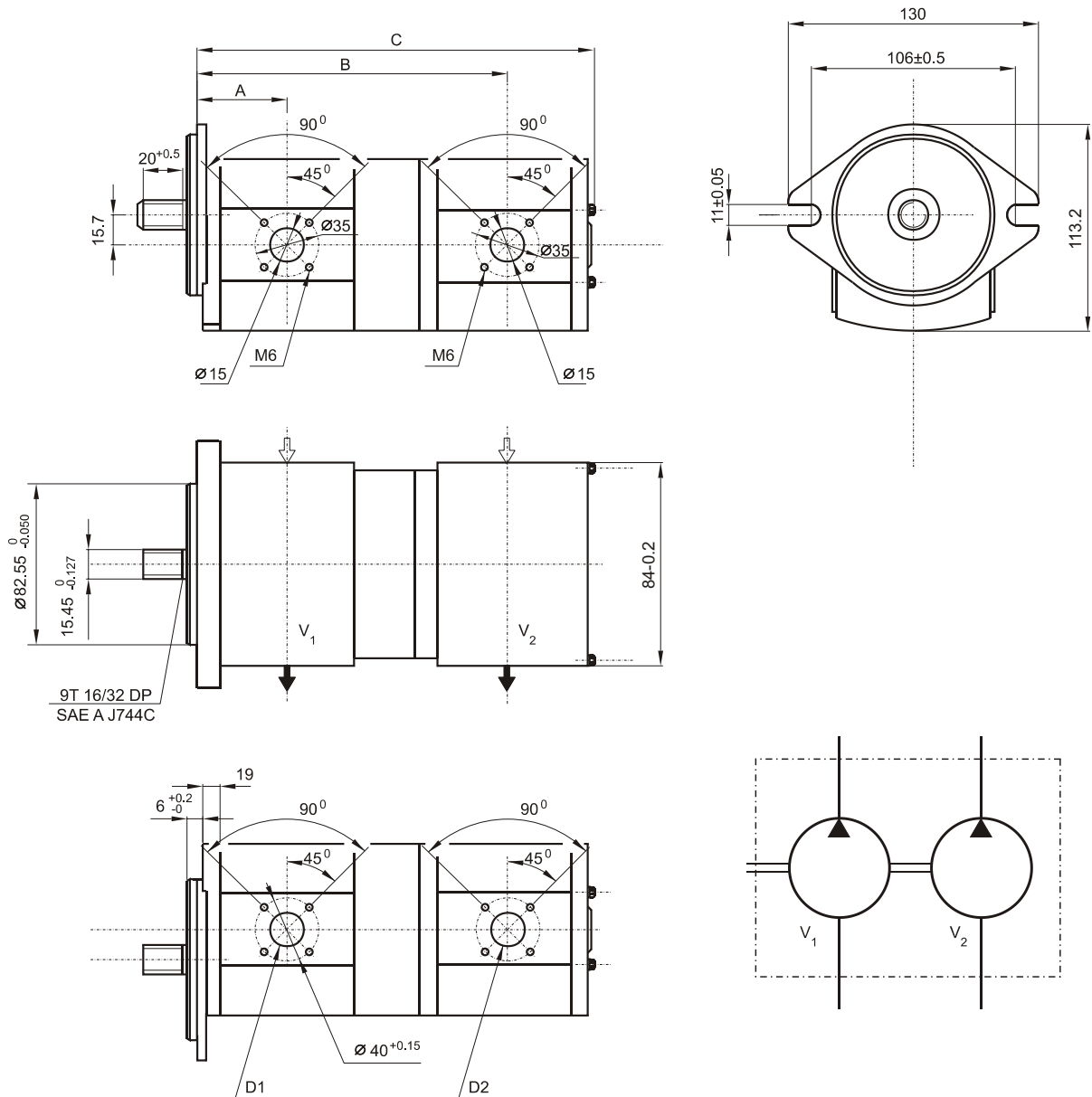


PRD 22

5.1.00 CB*



Type code		Displacement V ₁ +V ₂ cm ³ /rev	Dimensions					Weight Kg
			A	B	C	D1	D2	
PRD22-5141DCB	PRD22-5141SCB	11+4	48.5	135	178.6	20	15	6.3
PRD22-5163DCB	PRD22-5163SCB	16+8	48.5	139.8	189	20	15	6.8