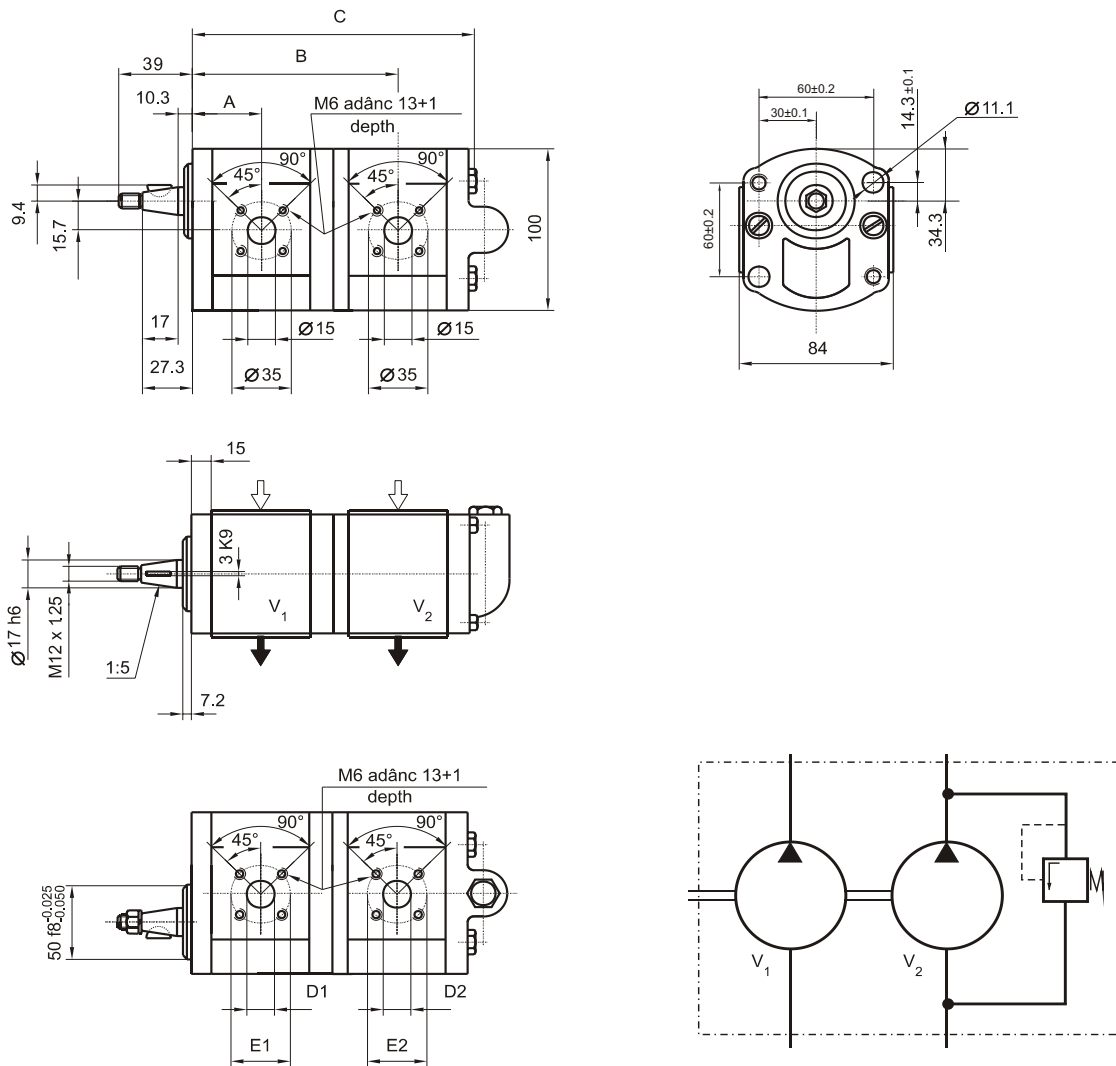


PRD 22

7.5.00 x



Presiunea de descărcare a supapei
Discharge pressure of the relief valve

x	1	2	3	4	5	6	7	8
P _d [bar]	63	80	100	125	160	180	200	220

Type code		Displacement V ₁ +V ₂ cm ³ /rev	Dimensions							Weight Kg
			A	B	C	D1	E1	D2	E2	
PRD22-7532Dx	PRD22-7532Sx	8+5.5	40.6	127	187	20	40	15	40	7
PRD22-7542Dx	PRD22-7542Sx	11+5.5	45	131.8	192	20	40	15	40	7.1
PRD22-7562Dx	PRD22-7562Sx	16+5.5	45	140.2	201	20	40	15	40	7.4
PRD22-7564Dx	PRD22-7564Sx	16+11	45	146.2	209	20	40	20	40	7.6