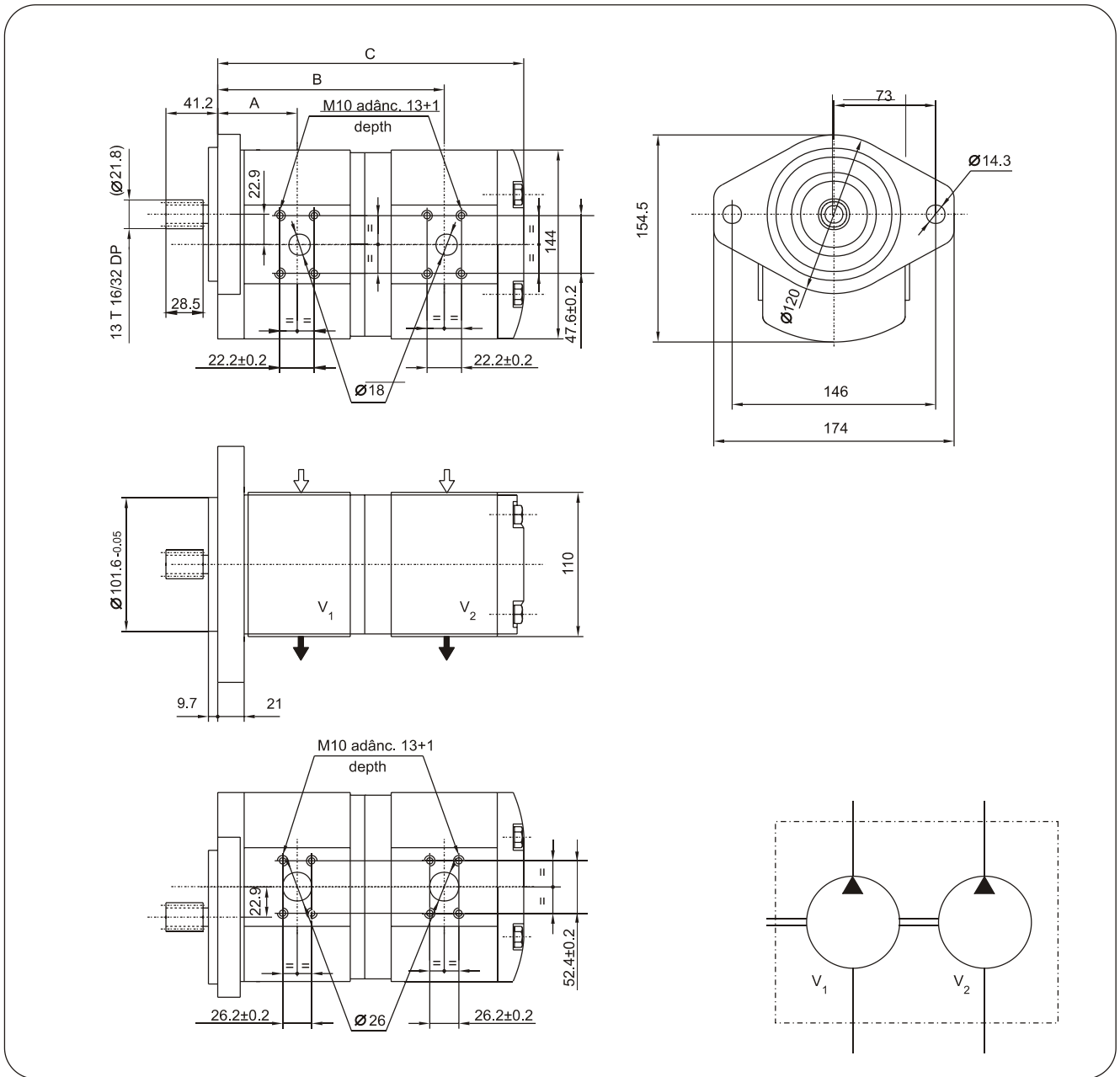




# PRD 33

## 5.1.00



Type code		Displacement $V_1+V_2$ cm <sup>3</sup> /rev	Dimensions						Weight Kg
			A	B	C				
PRD33-5111D	PRD33-5111S	22.5+22.5	62	195	262.4				22
PRD33-5112D	PRD33-5112S	22.5+28		197	267.4				22.2
PRD33-5113D	PRD33-5113S	22.5+32		198.2	271				22.4
PRD33-5114D	PRD33-5114S	22.5+38		200.2	276.4				22.7
PRD33-5115D	PRD33-5115S	22.5+45		203.2	283				22.9
PRD33-5116D	PRD33-5116S	22.5+56		211	294				24
PRD33-5121D	PRD33-5121S	28+22.5	64	200	266.4				22.2
PRD33-5122D	PRD33-5122S	28+28		202	272.4				22.4
PRD33-5123D	PRD33-5123S	28+32		203.2	276				22.6

Type code		Displacement $V_1+V_2$ cm <sup>3</sup> /rev	Dimensions						Weight Kg
			A	B	C				
PRD33-5124D	PRD33-5124S	28+38	64	205.2	281.4				22.9
PRD33-5125D	PRD33-5125S	28+45		208.2	288				23.1
PRD33-5126D	PRD33-5126S	28+56		216	299				24.2
PRD33-5131D	PRD33-5131S	32+22.5	65.5	203.2	271				22.4
PRD33-5132D	PRD33-5132S	32+28		205.2	276				22.6
PRD33-5133D	PRD33-5133S	32+32		207	279.4				22.8
PRD33-5134D	PRD33-5134S	32+38		209	285				23.1
PRD33-5135D	PRD33-5135S	32+45		212	291.4				23.3
PRD33-5136D	PRD33-5136S	32+56		219.4	302.4				24.6
PRD33-5141D	PRD33-5141S	38+22.5	67.5	209	276.4				22.7
PRD33-5142D	PRD33-5142S	38+28		211	281.4				22.9
PRD33-5143D	PRD33-5143S	38+32		212.2	285				23.1
PRD33-5144D	PRD33-5144S	38+38		214.2	290.4				23.4
PRD33-5145D	PRD33-5145S	38+45		217.2	297				23.6
PRD33-5146D	PRD33-5146S	38+56		225	308				24.9
PRD33-5151D	PRD33-5151S	45+22.5	70.5	215.2	283				22.9
PRD33-5152D	PRD33-5152S	45+28		217.2	288				23.1
PRD33-5153D	PRD33-5153S	45+32		219	291.4				23.3
PRD33-5154D	PRD33-5154S	45+38		221	297				23.6
PRD33-5155D	PRD33-5155S	45+45		224	303.4				23.8
PRD33-5156D	PRD33-5156S	45+56		231.4	314.4				25.1
PRD33-5161D	PRD33-5161S	56+22.5	78.2	226.2	294				23.4
PRD33-5162D	PRD33-5162S	56+28		228.2	299				23.6
PRD33-5163D	PRD33-5163S	56+32		230	302.4				23.8
PRD33-5164D	PRD33-5164S	56+38		232	308				24.3
PRD33-5165D	PRD33-5165S	56+45		235	314.4				25.6
PRD33-5166D	PRD33-5166S	56+56		242.4	325.4				26