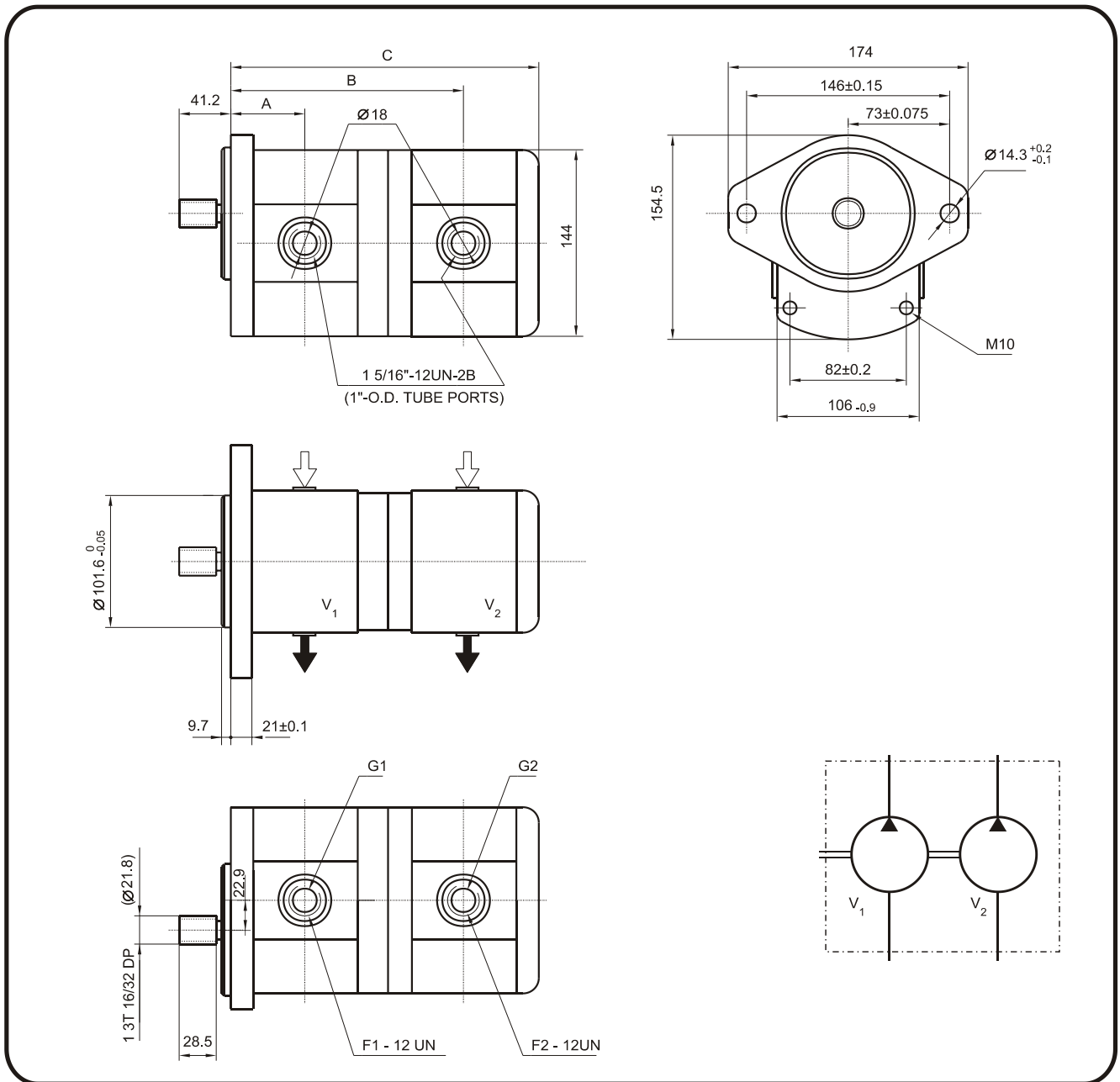


# PRD 33

## 5.1.00 /I



Type code		Displacement $V_1+V_2$ cm <sup>3</sup> /rev	Dimensions								Weight Kg
			A	B	C	F1	F2	G1	G2		
PRD33-5141D/I	PRD33-5141S/I	38+22.5	67.5	209	276	1 5/8"	1 5/8"	26	26	19.7	
PRD33-5144D/I	PRD33-5144S/I	38+38	67.5	214	290	1 5/8"	1 5/8"	26	26	20.4	
PRD33-5152D/I	PRD33-5152S/I	45+28	70.5	217	288	1 5/8"	1 5/8"	26	26	20.20	
PRD33-5153D/I	PRD33-5153S/I	45+32	70.5	219	291	1 5/8"	1 5/8"	26	26	20.4	
PRD33-5155D/I	PRD33-5155S/I	45+45	70.5	224	363	1 5/8"	1 5/8"	26	26	20.8	
PRD33-5176D/I	PRD33-5176S/I	63+56	81.6	249	332	1 7/8"	1 5/8"	33	26	22.0	
PRD33-5177D/I	PRD33-5177S/I	63+63	81.6	252	338	1 7/8"	1 5/8"	33	26	22.2	